



CST10P06 P-Ch 60V Fast Switching MOSFETs

- ★ Super Low Gate Charge
- ★ 100% EAS Guaranteed
- ★ Green Device Available
- ★ Excellent CdV/dt effect decline
- ★ Advanced high cell density Trench technology

CST10P06 Product Summary

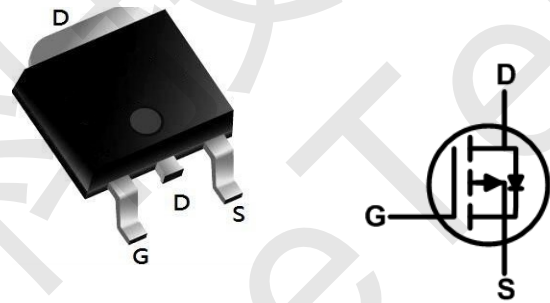


| BVDSS | RDSON | ID |
|-------|-------|------|
| -60V | 100mΩ | -10A |

CST10P06 Description

The CST10P06 is the high cell density trenched P-ch MOSFETs, which provide excellent RDSON and gate charge for most of the synchronous buck converter applications. The CST10P06 meet the RoHS and Green Product requirement, 100% EAS guaranteed with full function reliability approved.

CST10P06 TO252 Pin Configuration



CST10P06 Absolute Maximum Ratings

| Symbol | Parameter | Rating | Units |
|-----------------------|---|------------|------------|
| V_{DS} | Drain-Source Voltage | -60 | V |
| V_{GS} | Gate-Source Voltage | ± 20 | V |
| $I_D@T_C=25^\circ C$ | Continuous Drain Current, $V_{GS} @ -10V^1$ | -10 | A |
| $I_D@T_C=100^\circ C$ | Continuous Drain Current, $V_{GS} @ -10V^1$ | -6.8 | A |
| $I_D@T_A=25^\circ C$ | Continuous Drain Current, $V_{GS} @ -10V^1$ | -3.5 | A |
| $I_D@T_A=70^\circ C$ | Continuous Drain Current, $V_{GS} @ -10V^1$ | -2.8 | A |
| I_{DM} | Pulsed Drain Current ² | -25 | A |
| EAS | Single Pulse Avalanche Energy ³ | 20 | mJ |
| I_{AS} | Avalanche Current | -20 | A |
| $P_D@T_C=25^\circ C$ | Total Power Dissipation ⁴ | 25 | W |
| $P_D@T_A=25^\circ C$ | Total Power Dissipation ⁴ | 2 | W |
| T_{STG} | Storage Temperature Range | -55 to 150 | $^\circ C$ |
| T_J | Operating Junction Temperature Range | -55 to 150 | $^\circ C$ |

CST10P06 Thermal Data

| Symbol | Parameter | Typ. | Max. | Unit |
|-----------------|--|------|------|--------------|
| $R_{\theta JA}$ | Thermal Resistance Junction-Ambient ¹ | --- | 62 | $^\circ C/W$ |
| $R_{\theta JC}$ | Thermal Resistance Junction-Case ¹ | --- | 5 | $^\circ C/W$ |



CST10P06 Electrical Characteristics (T_J=25 °C, unless otherwise noted)

| Symbol | Parameter | Conditions | Min. | Typ. | Max. | Unit |
|-------------------------------------|--|--|------|--------|------|-------|
| BV _{DSS} | Drain-Source Breakdown Voltage | V _{GS} =0V, I _D =-250uA | -60 | --- | --- | V |
| ΔBV _{DSS} /ΔT _J | BV _{DSS} Temperature Coefficient | Reference to 25°C, I _D =-1mA | --- | -0.049 | --- | V/°C |
| R _{DS(ON)} | Static Drain-Source On-Resistance ² | V _{GS} =-10V, I _D =-8A | --- | 100 | 140 | mΩ |
| | | V _{GS} =-4.5V, I _D =-6A | --- | 115 | 190 | |
| V _{GS(th)} | Gate Threshold Voltage | V _{GS} =V _{DS} , I _D =-250uA | -1.0 | --- | -2.5 | V |
| ΔV _{GS(th)} | V _{GS(th)} Temperature Coefficient | | --- | 5.42 | --- | mV/°C |
| I _{DSS} | Drain-Source Leakage Current | V _{DS} =-48V, V _{GS} =0V, T _J =25°C | --- | --- | 1 | uA |
| | | V _{DS} =-48V, V _{GS} =0V, T _J =150°C | --- | --- | 5 | |
| I _{GSS} | Gate-Source Leakage Current | V _{GS} =±20V, V _{DS} =0V | --- | --- | ±100 | nA |
| g _{fs} | Forward Transconductance | V _{DS} =-5V, I _D =-5A | --- | 5.8 | --- | S |
| Q _g | Total Gate Charge (-4.5V) | V _{DS} =-20V, V _{GS} =-4.5V, I _D =-5A | --- | 5.85 | --- | nC |
| Q _{gs} | Gate-Source Charge | | --- | 2.9 | --- | |
| Q _{gd} | Gate-Drain Charge | | --- | 1.8 | --- | |
| T _{d(on)} | Turn-On Delay Time | V _{DD} =-12V, V _{GS} =-10V, R _G =3.3Ω, I _D =-5A | --- | 10 | --- | ns |
| T _r | Rise Time | | --- | 17 | --- | |
| T _{d(off)} | Turn-Off Delay Time | | --- | 22 | --- | |
| T _f | Fall Time | | --- | 21 | --- | |
| C _{iss} | Input Capacitance | V _{DS} =-15V, V _{GS} =0V, F=1MHz | --- | 715 | --- | pF |
| C _{oss} | Output Capacitance | | --- | 51 | --- | |
| C _{rss} | Reverse Transfer Capacitance | | --- | 34 | --- | |

CST10P06 Diode Characteristics

| Symbol | Parameter | Conditions | Min. | Typ. | Max. | Unit |
|-----------------|--|--|------|------|------|------|
| I _S | Continuous Source Current ^{1,5} | V _G =V _D =0V, Force Current | --- | --- | -10 | A |
| I _{SM} | Pulsed Source Current ^{2,5} | | --- | --- | -24 | A |
| V _{SD} | Diode Forward Voltage ² | V _{GS} =0V, I _S =-1A, T _J =25°C | --- | --- | -1.2 | V |
| t _{rr} | Reverse Recovery Time | I _F =-8A, dI/dt=100A/μs, T _J =25°C | --- | 10.2 | --- | nS |
| Q _{rr} | Reverse Recovery Charge | | --- | 5.4 | --- | nC |

Note :

- The data tested by surface mounted on a 1 inch² FR-4 board with 20Z copper.
- The data tested by pulsed, pulse width ≤ 300us, duty cycle ≤ 2%
- The EAS data shows Max. rating. The test condition is V_{DD}=-25V, V_{GS}=-10V, L=0.1mH, I_{AS}=-15A
- The power dissipation is limited by 150°C junction temperature
- The data is theoretically the same as I_D and I_{DM}, in real applications, should be limited by total power dissipation.



CST10P06 P-Channel Typical Characteristics

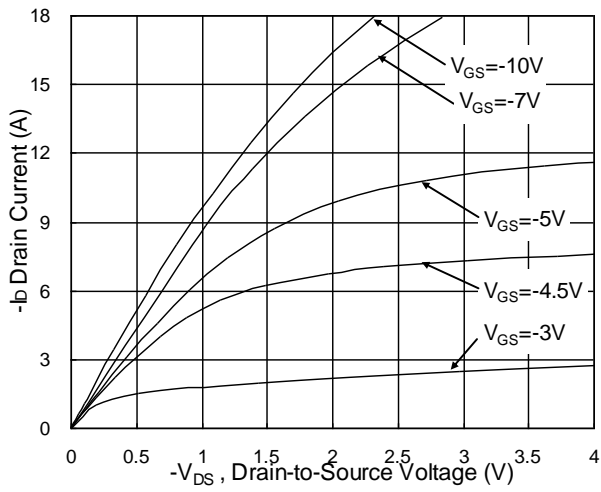


Fig.1 Typical Output Characteristics

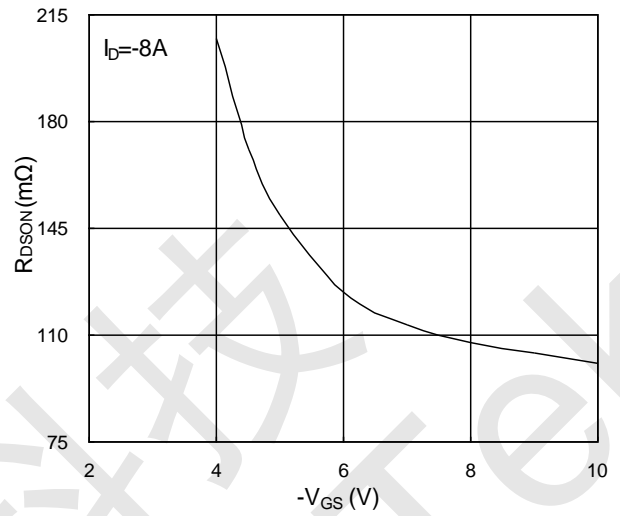


Fig.2 On-Resistance vs. G-S Voltage

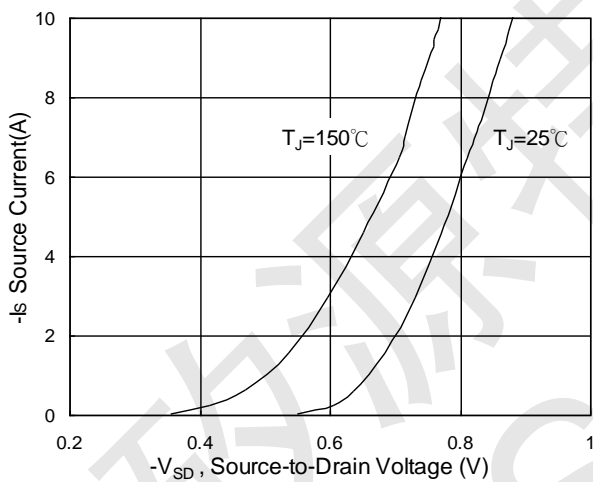


Fig.3 Forward Characteristics Of Reverse

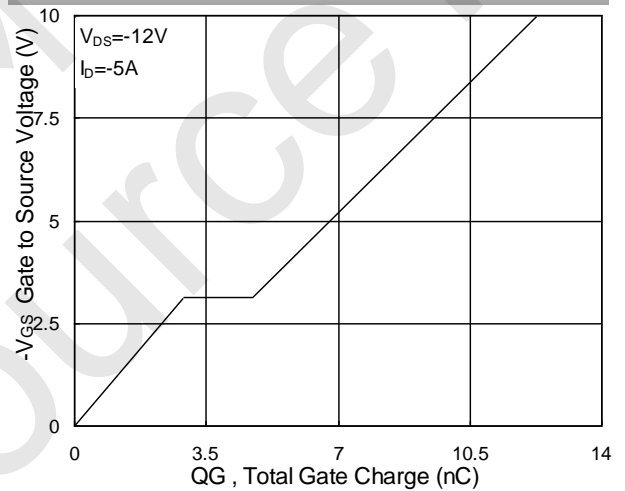


Fig.4 Gate-Charge Characteristics

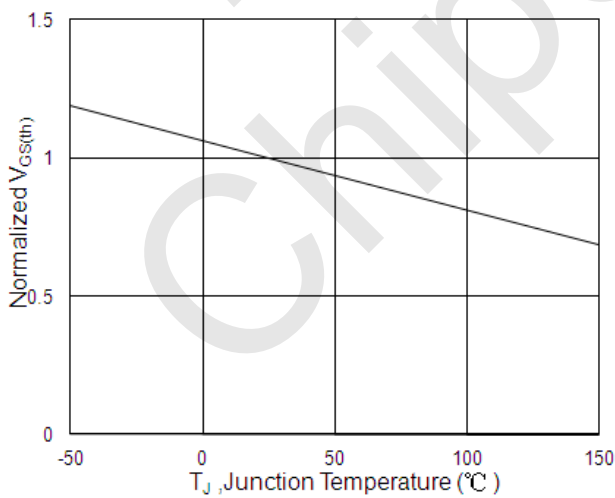


Fig.5 Normalized $V_{GS(th)}$ vs. T_J

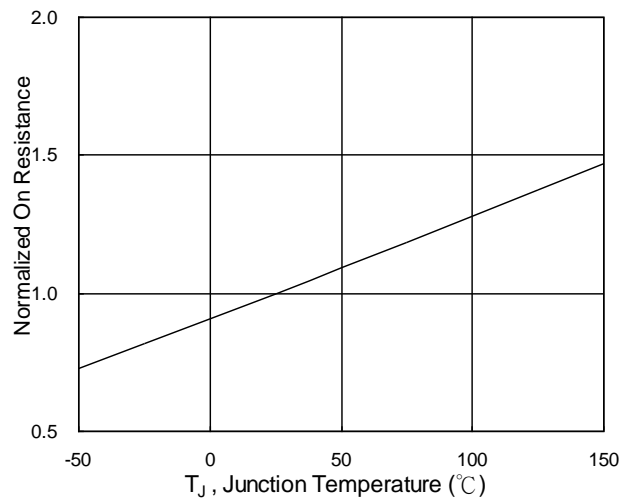


Fig.6 Normalized $R_{DS(ON)}$ vs. T_J

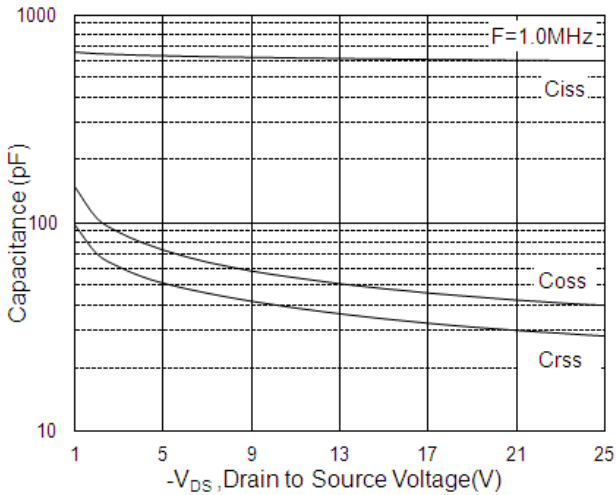


Fig.7 Capacitance

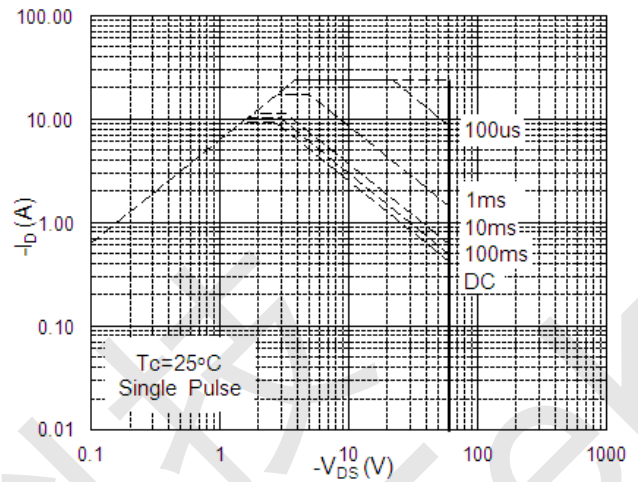


Fig.8 Safe Operating Area

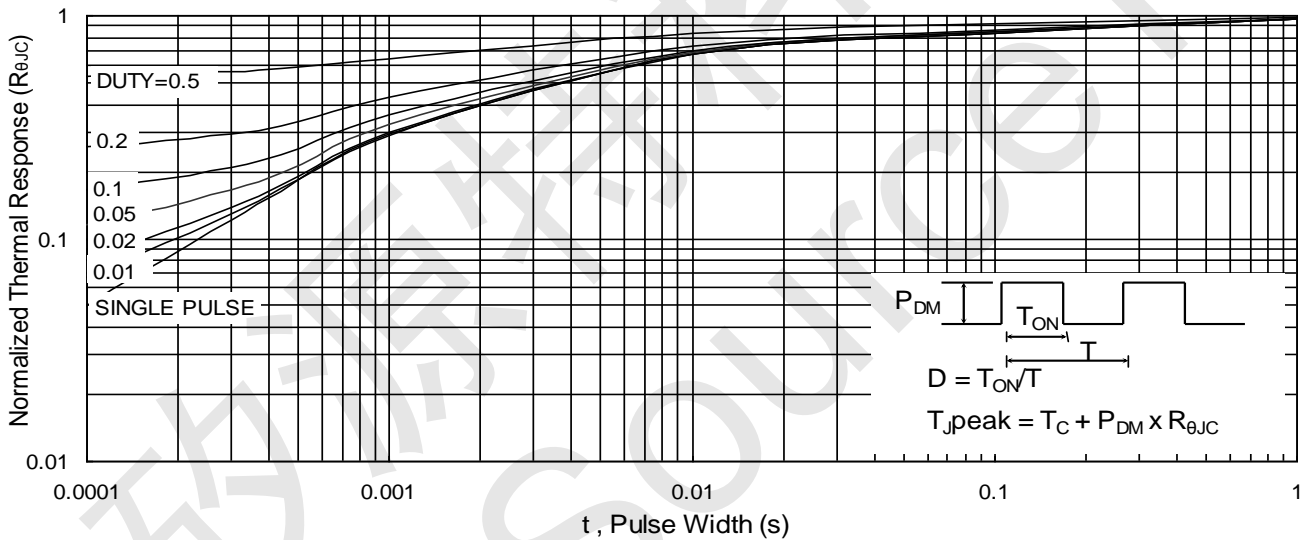


Fig.9 Normalized Maximum Transient Thermal Impedance

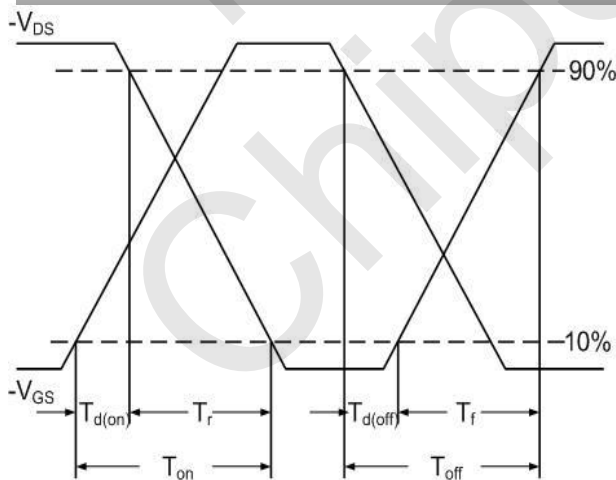


Fig.10 Switching Time Waveform

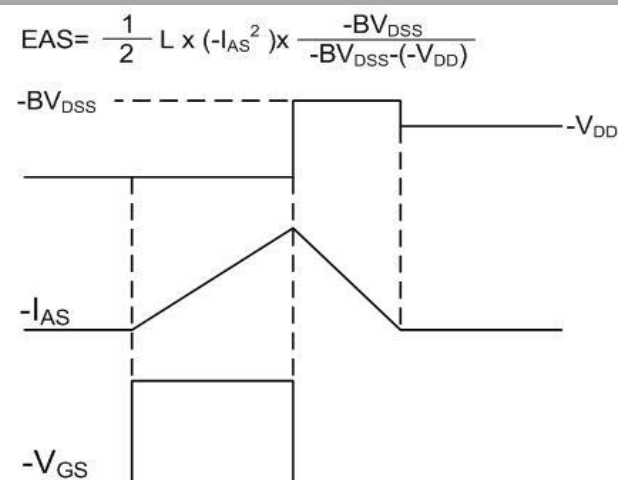
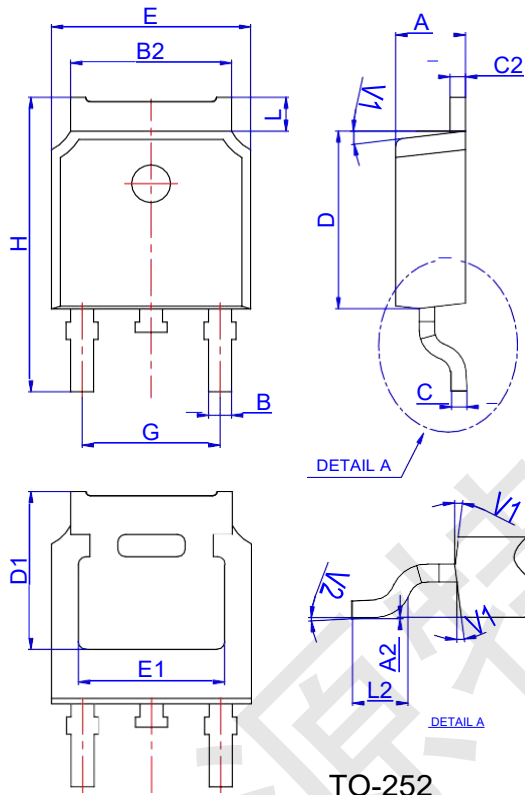


Fig.11 Unclamped Inductive Switching Waveform



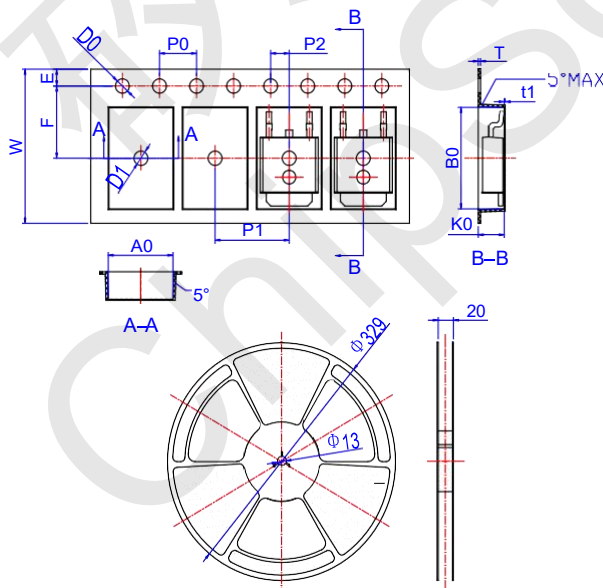
CST10P06 Package Mechanical Data TO252-4R



TO-252

| Ref. | Dimensions | | | | | |
|------|-------------|------|-------|----------|------|-------|
| | Millimeters | | | Inches | | |
| | Min. | Typ. | Max. | Min. | Typ. | Max. |
| A | 2.10 | | 2.50 | 0.083 | | 0.098 |
| A2 | 0 | | 0.10 | 0 | | 0.004 |
| B | 0.66 | | 0.86 | 0.026 | | 0.034 |
| B2 | 5.18 | | 5.48 | 0.202 | | 0.216 |
| C | 0.40 | | 0.60 | 0.016 | | 0.024 |
| C2 | 0.44 | | 0.58 | 0.017 | | 0.023 |
| D | 5.90 | | 6.30 | 0.232 | | 0.248 |
| D1 | 5.30REF | | | 0.209REF | | |
| E | 6.40 | | 6.80 | 0.252 | | 0.268 |
| E1 | 4.63 | | | 0.182 | | |
| G | 4.47 | | 4.67 | 0.176 | | 0.184 |
| H | 9.50 | | 10.70 | 0.374 | | 0.421 |
| L | 1.09 | | 1.21 | 0.043 | | 0.048 |
| L2 | 1.35 | | 1.65 | 0.053 | | 0.065 |
| V1 | | 7° | | | 7° | |
| V2 | | 0° | 6° | 0° | | 6° |

Reel Specification-TO-252-4R



| Ref. | Dimensions | | | | | |
|------|-------------|-------|-------|--------|-------|-------|
| | Millimeters | | | Inches | | |
| | Min. | Typ. | Max. | Min. | Typ. | Max. |
| W | 15.90 | 16.00 | 16.10 | 0.626 | 0.630 | 0.634 |
| E | 1.65 | 1.75 | 1.85 | 0.065 | 0.069 | 0.073 |
| F | 7.40 | 7.50 | 7.60 | 0.291 | 0.295 | 0.299 |
| D0 | 1.40 | 1.50 | 1.60 | 0.055 | 0.059 | 0.063 |
| D1 | 1.40 | 1.50 | 1.60 | 0.055 | 0.059 | 0.063 |
| P0 | 3.90 | 4.00 | 4.10 | 0.154 | 0.157 | 0.161 |
| P1 | 7.90 | 8.00 | 8.10 | 0.311 | 0.315 | 0.319 |
| P2 | 1.90 | 2.00 | 2.10 | 0.075 | 0.079 | 0.083 |
| A0 | 6.85 | 6.90 | 7.00 | 0.270 | 0.271 | 0.276 |
| B0 | 10.45 | 10.50 | 10.60 | 0.411 | 0.413 | 0.417 |
| K0 | 2.68 | 2.78 | 2.88 | 0.105 | 0.109 | 0.113 |
| T | 0.24 | | 0.27 | 0.009 | | 0.011 |
| t1 | 0.10 | | | 0.004 | | |
| 10P0 | 39.80 | 40.00 | 40.20 | 1.567 | 1.575 | 1.583 |