



CST5981C Magnetic Sensor ICs

Omnipolar Detection High Performance Low Power Hall-Effect Sensor IC

● CST5981C General Description

Using low power CMOS process, the CST5981C is designed for low power, high performance omnipolar detection hall-effect application, such as cover switch, contactless switch, solid state switch and lid close sensor etc battery operation. The hall IC integrated an on-chip hall voltage generator for magnetic sensing, a comparator that amplifies the hall voltage, a Chopper amplifier, a Schmitt trigger to provide switching hysteresis for noise rejection, and a complementary output.

The total power consumption of CST5981C is typically less than 1.8uA at 1.8V power supply. CST5981C is designed to respond to alternating North and South poles. When the magnetic flux density (B) is larger than operate point (B_{OP}), the output will be turned on (low), the output is held until the magnetic flux density (B) is lower than release point (B_{RP}), then turn off (high).

The device is available in SOT553, SSOT23-3L, SOT23-3L and SIP3L Packages and is rated over the -40°C to 85°C. The all packages are RoHS and Green compliant.

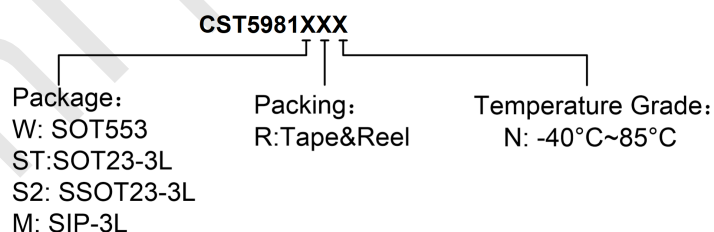
● CST5981C Features

- Input Voltage Range : 1.65V to 5.5V
- Micro-power consumption ideal for battery power applications
- Omnipolar Operation, easy to use as output
- Very high sensitivity hall sensor
- Low Power CMOS process technology
- Chopper stabilization amplifier stage
- Magnetic Sensitivity (typical)
 $B_{OP} = \pm 30\text{Gauss}$, $B_{RP} = \pm 20\text{Gauss}$
- Good RF noise immunity
- No need pull-up resistor
- Small Solution Size
- RoHS & Green Compliant
- SOT553, SSOT23-3L, SOT23-3L & SIP3L Packages
- -40°C to +85 °C Temperature Range

● CST5981C Applications

- Cover switch in clam-shell cellular phones
- Cover switch in Notebook, PC/PAD
- Contact-less switch in consumer products
- Solid State Switch
- Handheld Wireless Handset Awake Switch
- Lid close sensor for battery-powered device
- Magnet proximity sensor for reed switch replacement in low duty cycle applications
- DV, DSC, and White Goods

■ CST5981C Ordering Information

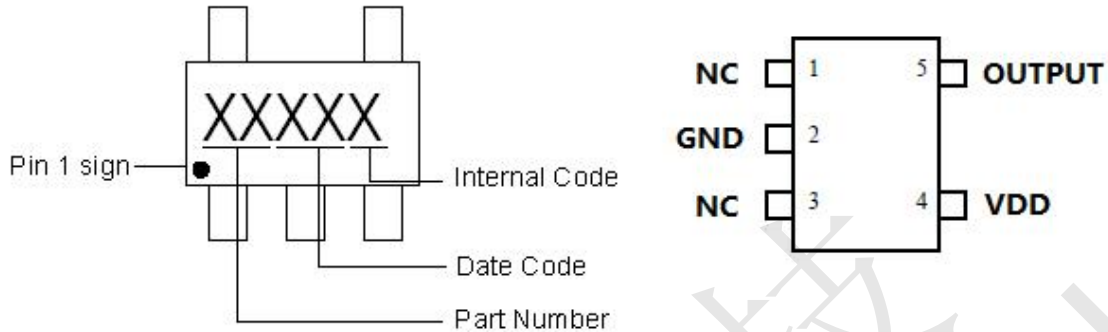


| Part Number | B_{OP} (Gauss) | B_{RP} Gauss) | Package Type | Package Qty | Temperature | Eco Plan |
|--------------|----------------------|----------------------|--------------|------------------------|-------------|----------|
| CST5981CWRN | $\pm 30\text{Gauss}$ | $\pm 20\text{Gauss}$ | SOT553 | 7-in reel 3000pcs/reel | -40~85°C | Green |
| CST5981CSTRN | $\pm 30\text{Gauss}$ | $\pm 20\text{Gauss}$ | SOT23-3L | 7-in reel 3000pcs/reel | -40~85°C | Green |
| CST5981CS2RN | $\pm 30\text{Gauss}$ | $\pm 20\text{Gauss}$ | SSOT23-3L | 7-in reel 3000pcs/reel | -40~85°C | Green |
| CST5981CMRN | $\pm 30\text{Gauss}$ | $\pm 20\text{Gauss}$ | SIP-3L | 1000pcs/Package | -40~85°C | RoHs |



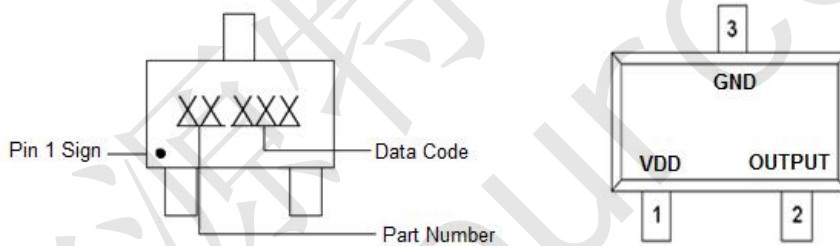
■ CST5981C Marking & Pin Assignment

SOT553:



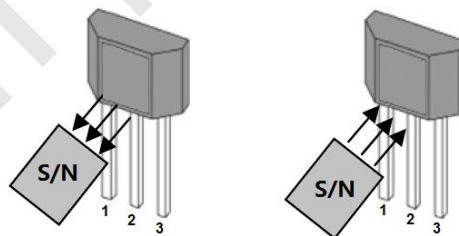
| Pin Name | Pin No. | I/O | Pin Function |
|----------|---------|-----|--------------------|
| | SOT553 | | |
| VDD | 4 | P | Input Power Supply |
| GND | 2 | P | Ground |
| OUTPUT | 5 | O | Output Pin |
| NC | 1,3 | - | Not Connected |

SOT23-3L/SSOT23-3L:



| Pin Name | Pin No. | I/O | Pin Function |
|----------|--------------------|-----|--------------------|
| | SOT23-3L/SSOT23-3L | | |
| VDD | 1 | P | Input Power Supply |
| GND | 3 | P | Ground |
| OUTPUT | 2 | O | Output Pin |

SIP-3L



| Pin Name | Pin No. | I/O | Pin Function |
|----------|---------|-----|--------------------|
| | SIP-3L | | |
| VDD | 1 | P | Input Power Supply |
| GND | 2 | P | Ground |
| OUTPUT | 3 | O | Output Pin |



■ CST5981C Typical Application Circuit

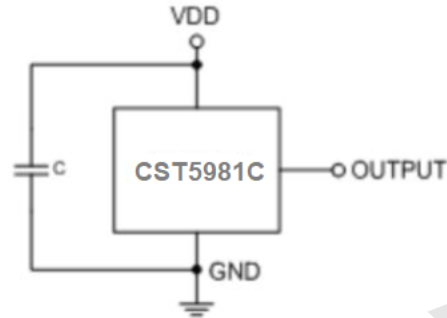


Figure 1, Typical Application Circuit of CST5981C

■ CST5981C Block Diagram

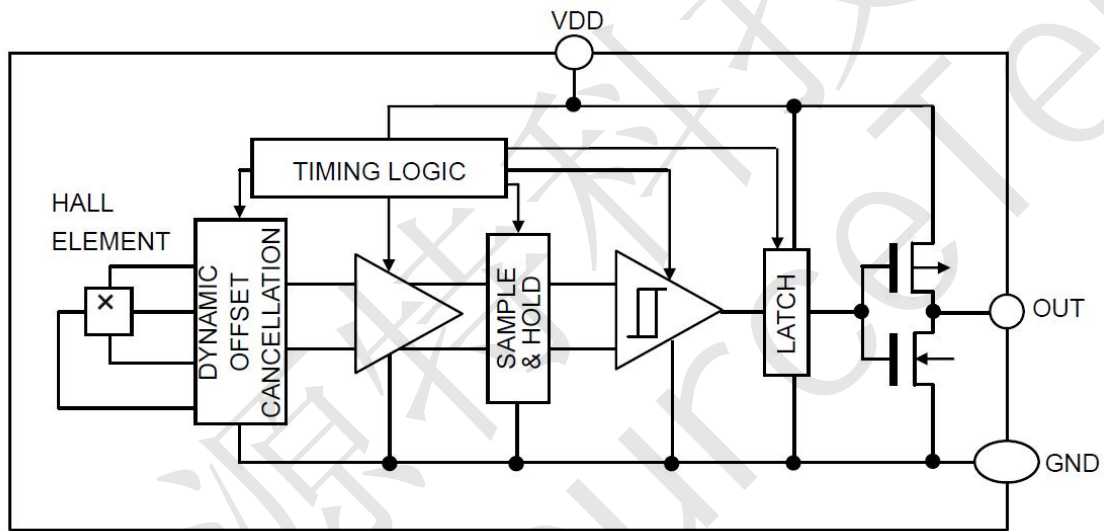


Figure 3, Block Diagram of CST5981C

■ CST5981C Absolute Maximum Ratings¹ (T_A=25°C, unless otherwise noted)

| Parameter | Symbol | Rating | Unit | |
|--|---------------------|------------------------------|-------|----|
| V _{DD} Pin to GND | V _{DD} | -0.3 to 6.0 | V | |
| Output Pin to GND | V _{OUTPUT} | -0.3 to V _{DD} +0.3 | V | |
| Max. Continuous Output Current | I _{OUTMAX} | 2.0 | mA | |
| Magnetic Flux Density | B | Unlimited | Gauss | |
| Package Power Dissipation | P _d | SIP-3L | 170 | mW |
| | | SOT553/SOT23-3L | 230 | mW |
| ESD (HBM) | ESD | 8000 | V | |
| Storage Temperature Range | T _S | -55 to +150 | °C | |
| Operating Junction Temperature Range | T _{OP} | -40 to +150 | °C | |
| Maximum Soldering Temperature (at leads, 10 sec) | T _{LEAD} | 300 | °C | |

■ CST5981C Recommended Operating Conditions²

| Parameter | Symbol | Rating | Unit |
|-----------------------------|------------------|-------------|------|
| V _{DD} Pin to GND | V _{DD} | 1.65 to 5.5 | V |
| Continuous Output Current | I _{OUT} | 1.0 | mA |
| Operating Temperature Range | T _{OP} | -40 to +85 | °C |

Note: 1: Stresses above those listed in absolute maximum ratings may cause permanent damage to the device. Functional operation at conditions other than the operating conditions specified is not implied. Only one absolute maximum rating should be applied at any one time.

2: The device is not guaranteed to function outside of its operating conditions.



■ CST5981C Electrical Characteristics

($T_A = -40$ to $+85^\circ\text{C}$ unless otherwise noted. Typical values are at $T_A = +25^\circ\text{C}$, $V_{DD} = 3.3\text{V}$)

| Symbol | Parameter | Conditions | Min. | Typ. | Max. | Unit |
|-----------------------|--------------------------------|---|----------------|----------------|----------------|---------------|
| V_{DD} | Input Voltage | | 1.65 | 3.3 | 5.5 | V |
| $I_{DD}(\text{AVG})$ | Supply Current | Average supply current, $T_A = 25^\circ\text{C}$, $V_{DD} = 1.8\text{V}$ | - | 1.8 | 3.0 | μA |
| $I_{DD}(\text{AVG})$ | | Average supply current, $T_A = 25^\circ\text{C}$, $V_{DD} = 4.4\text{V}$ | - | 3.0 | 6.0 | μA |
| T_{awake} | Awake Time | | - | 100 | 150 | μs |
| T_{period} | Period | | - | 100 | 150 | ms |
| D.C. | Duty Cycle | | - | 0.05 | - | % |
| V_{OH} | Output Off Voltage (High side) | $I_{OUT} = +1\text{mA}$ | $V_{DD} - 0.3$ | $V_{DD} - 0.1$ | $V_{DD} + 0.3$ | V |
| V_{OL} | Output On Voltage (Low side) | $I_{OUT} = -1\text{mA}$ | -0.3 | 0.1 | +0.3 | V |
| Magnetic Para. | | | | | | |
| B_{OPS} | Magnetic Operating Point | | - | 30 | 40 | Gauss |
| B_{OPN} | | | -40 | -30 | - | |
| B_{RPS} | Magnetic Release Point | | 10 | 20 | - | Gauss |
| B_{RPN} | | | - | -20 | -10 | |
| B_{HYS} | Hysteresis Window | | - | 10 | - | Gauss |

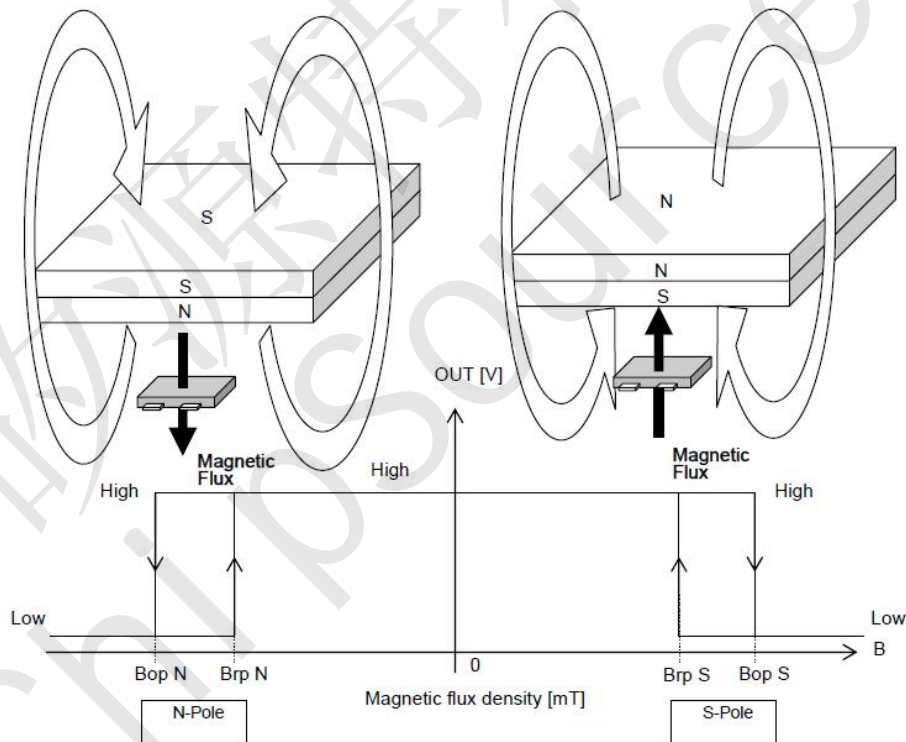
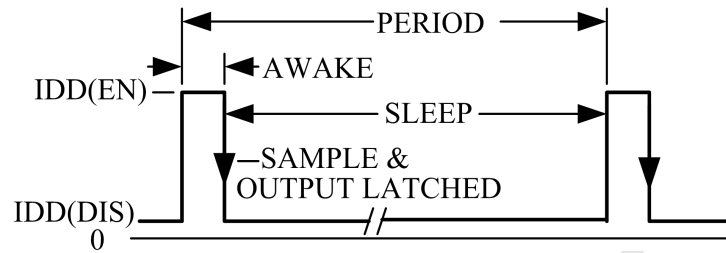


Fig 4, Magnetic Operation Characteristic of CST5981C



■ CST5981C Function Description



Micro-power Operation

Internal timing circuitry activates the sensor for 100 μ s and deactivates it for the remainder of the period (100ms). A short "awake" time allows for stabilization prior to the sensor sampling and data latching on the falling edge of the timing pulse. The output during the "sleep" time is latched in the last sampled state. The supply current is not affected by the output state.

Chopper-Stabilized Technique

The Hall element can be considered as a resistor array similar to a Wheatstone bridge. A large portion of the offset is a result of the mismatching of these resistors. These devices use a proprietary dynamic offset cancellation technique, with an internal high-frequency clock to reduce the residual offset voltage of the Hall element that is normally caused by device over-molding, temperature dependencies, and thermal stress. The chopper-stabilizing technique cancels the mismatching of the resistor circuit by changing the direction of the current flowing through the Hall plate using CMOS switches and Hall voltage measurement taps, while maintains the Hall voltage signal that is induced by the external magnetic flux. The signal is then captured by a sample-and-hold circuit and further processed using low-offset bipolar circuitry. This technique produces devices that have an extremely stable quiescent Hall output voltage, are immune to thermal stress, and have precise recoverability after temperature cycling. A relatively high sampling frequency is used for faster signal processing capability can be processed.

Magnetic Field Detection Mechanism

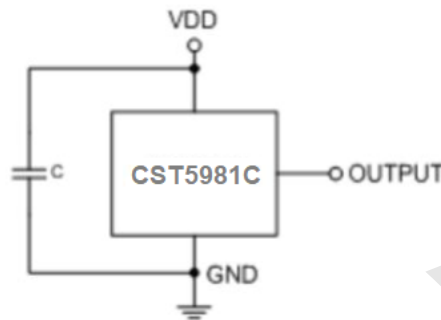
The Hall IC cannot detect magnetic fields that run horizontal to the package top layer. Be certain to configure the Hall IC so that the magnetic field is perpendicular to the top layer.

Operation

The output of this device switches low (turns on) when a magnetic field perpendicular to the Hall sensor exceeds the operate point B_{OPS} (or is less than B_{OPN}). After turn-on, the output is capable of sinking up to 1mA and the output voltage is $V_{OUT}(ON)$. When the magnetic field is reduced below the release point B_{RPS} (or increased above B_{RPN}), the device output switches high (turns off). The difference between the magnetic operates and release points are the hysteresis (B_{hys}) of the device. This built-in hysteresis allows clean switching of the output even in the presence of external mechanical vibration and electrical noise.



Applications:



CST5981C's pole-independent sensing technique allows for operation with either a north or south poles magnet orientation, enhancing the manufacturability of the device. The state-of-the-art technology provides the same output polarity for either pole face.

C1 serves two purposes: minimizing ripples on the input voltage and enhancing immunity from RF transmission noises within close proximity. Recommended values are between 100nF and 1000nF. The larger the capacitance, the better the noise immunity is for the CST5981C.

It is strongly recommended that an external bypass capacitor be connected (in close proximity to the Hall sensor) between the supply and ground of the device to reduce both external noise and noise generated by the chopper-stabilization technique. This is especially true due to the relatively high impedance of battery supplies. The simplest form of magnet that will operate these devices is a bar magnet with either pole near the branded surface of the device.

Thermal Considerations

The maximum IC junction temperature should be restricted to 125°C under normal operating conditions. This restriction limits the power dissipation of the CST5981C. Calculate the maximum allowable dissipation, $P_{D(max)}$, and keep the actual dissipation less than or equal to $P_{D(max)}$. The maximum-power-dissipation limit is determined using following equation:

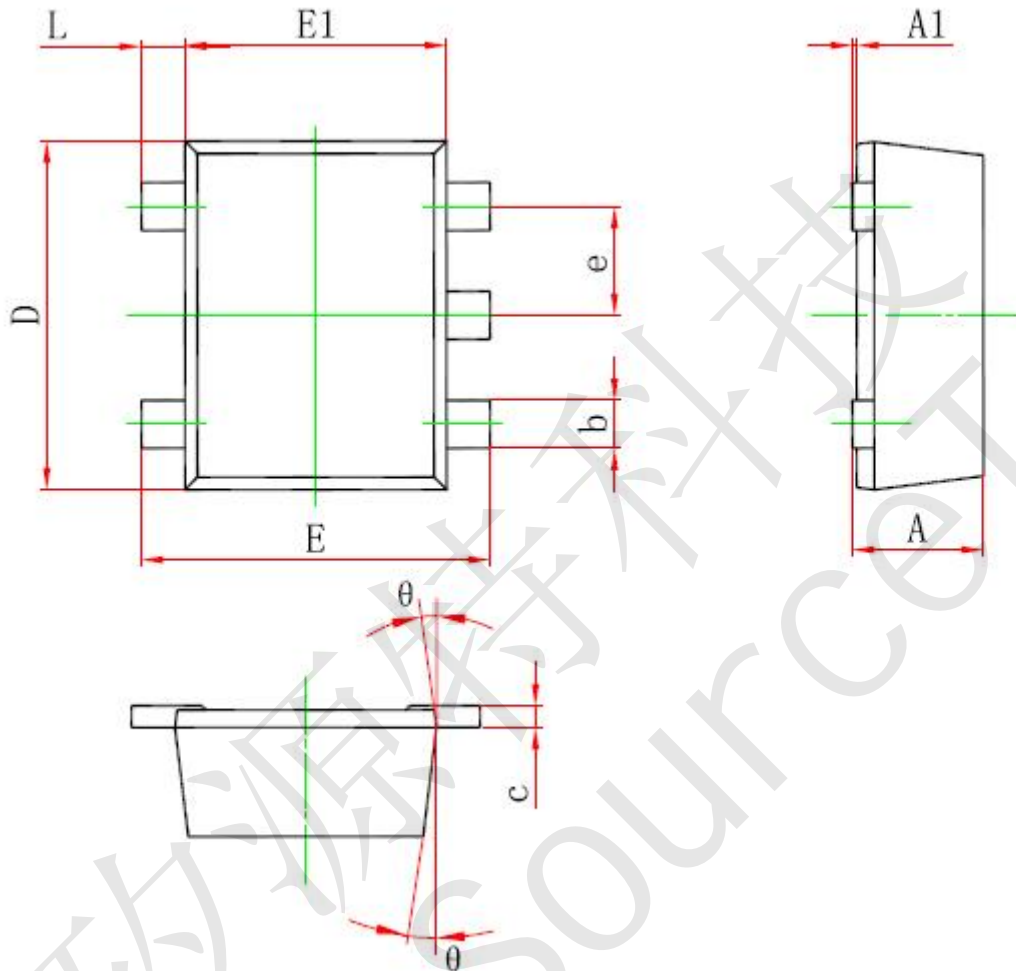
$$P_{D(MAX)} = \frac{125^{\circ}\text{C} - T_A}{R_{\theta JA}}$$

Where, T_A is the maximum ambient temperature for the application. $R_{\theta JA}$ is the thermal resistance junction-to-ambient given in Power Dissipation Table.



■ CST5981C Package Information

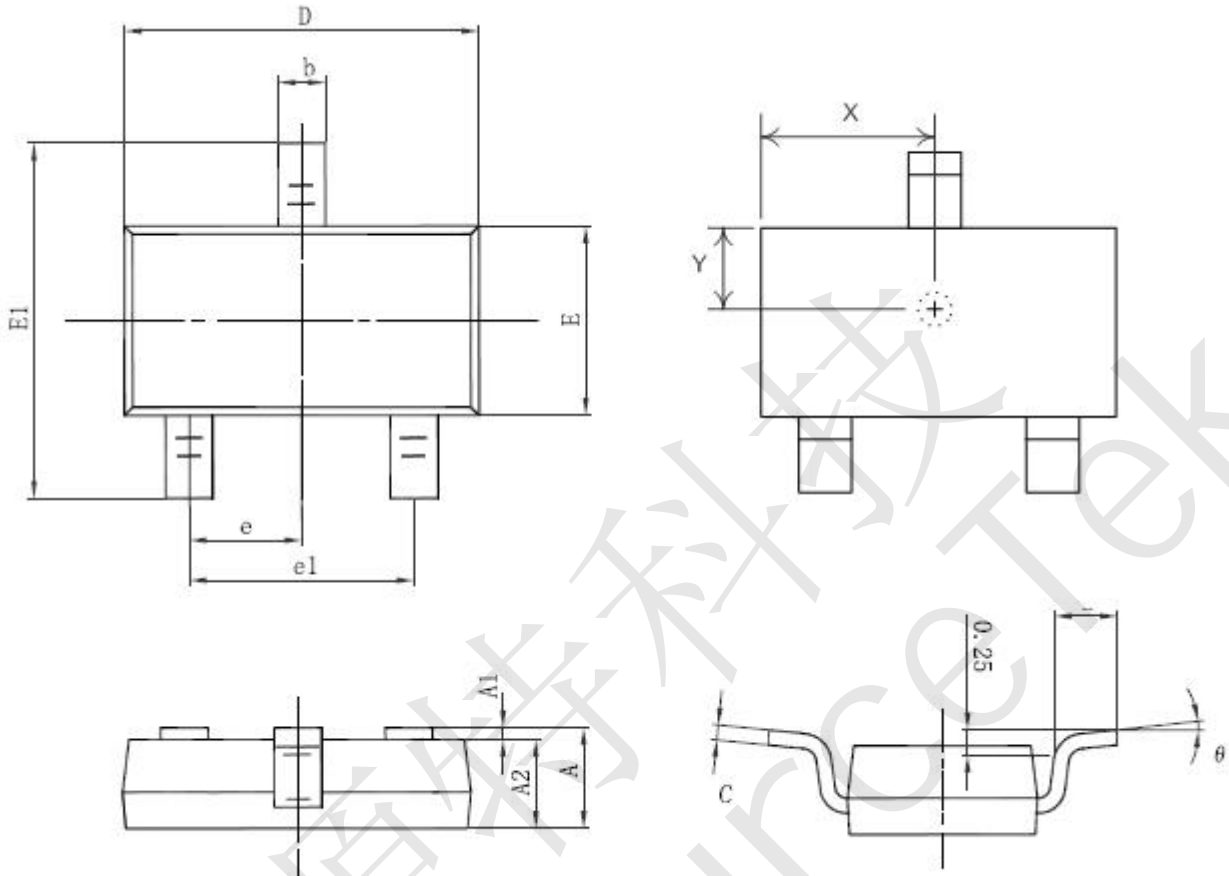
SOT553:



| Symbol | Dimensions In Millimeters | | Dimensions In Inches | |
|--------|---------------------------|-------|----------------------|-------|
| | Min. | Max. | Min. | Max. |
| A | 0.525 | 0.600 | 0.021 | 0.024 |
| A1 | 0.000 | 0.050 | 0.000 | 0.002 |
| e | 0.450 | 0.550 | 0.018 | 0.022 |
| c | 0.090 | 0.160 | 0.004 | 0.006 |
| D | 1.500 | 1.700 | 0.059 | 0.067 |
| b | 0.170 | 0.270 | 0.007 | 0.011 |
| E1 | 1.100 | 1.300 | 0.043 | 0.051 |
| E | 1.500 | 1.700 | 0.059 | 0.067 |
| θ | 7° REF | | 7° REF | |
| L | 0.100 | 0.300 | 0.004 | 0.012 |



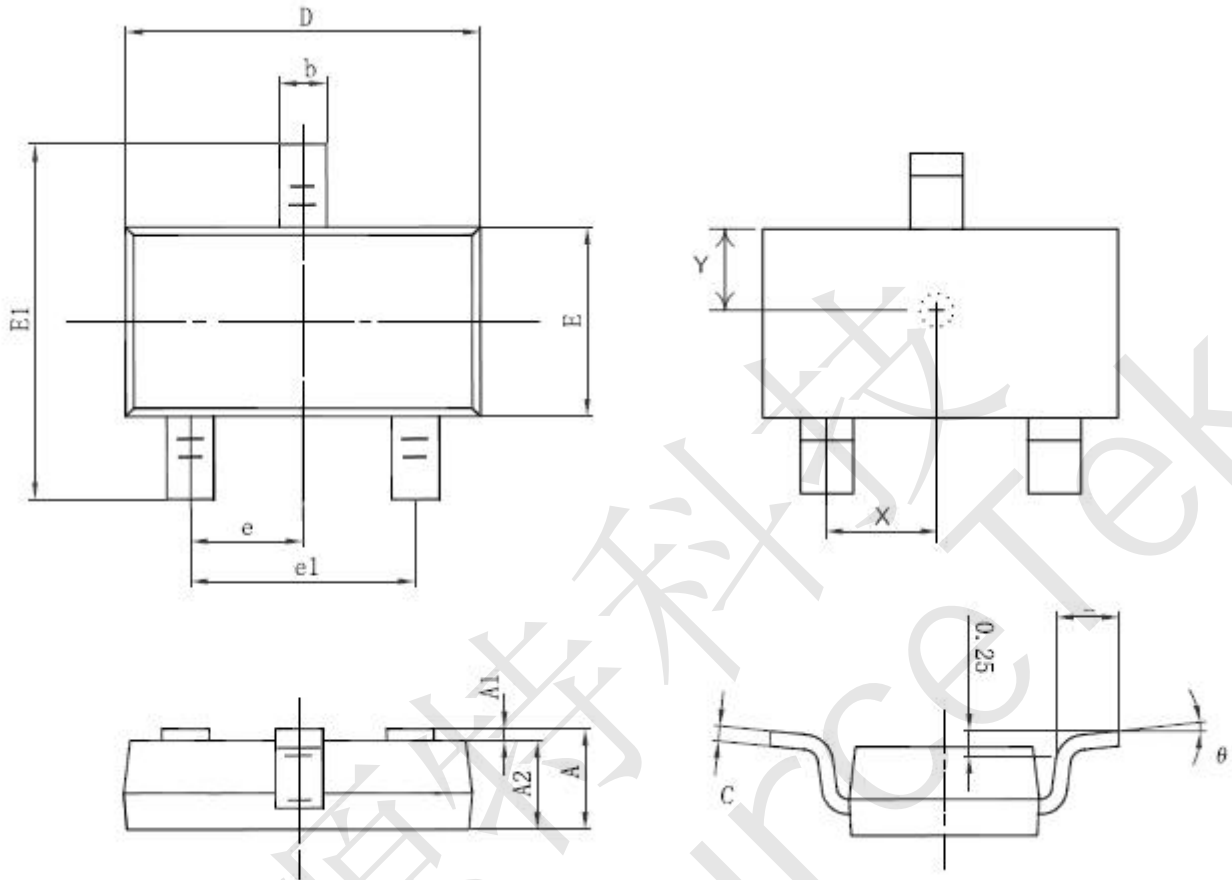
SOT23-3L:



| Symbol | Dimensions In Millimeters | | Dimensions In Inches | |
|--------|---------------------------|-------|----------------------|-------|
| | Min. | Max. | Min. | Max. |
| A | 1.050 | 1.250 | 0.041 | 0.049 |
| A1 | 0.000 | 0.100 | 0.000 | 0.004 |
| A2 | 1.050 | 1.150 | 0.041 | 0.045 |
| b | 0.300 | 0.500 | 0.012 | 0.020 |
| c | 0.100 | 0.200 | 0.004 | 0.008 |
| D | 2.820 | 3.020 | 0.111 | 0.119 |
| E | 1.500 | 1.700 | 0.059 | 0.067 |
| E1 | 2.650 | 2.950 | 0.104 | 0.116 |
| e | 0.950(BSC) | | 0.037(BSC) | |
| e1 | 1.900(BSC) | | 0.075(BSC) | |
| L | 0.300 | 0.600 | 0.012 | 0.024 |
| θ | 0° | 8° | 0° | 8° |
| X | 1.410 | 1.510 | 0.056 | 0.059 |
| Y | 0.800 | 0.850 | 0.031 | 0.033 |



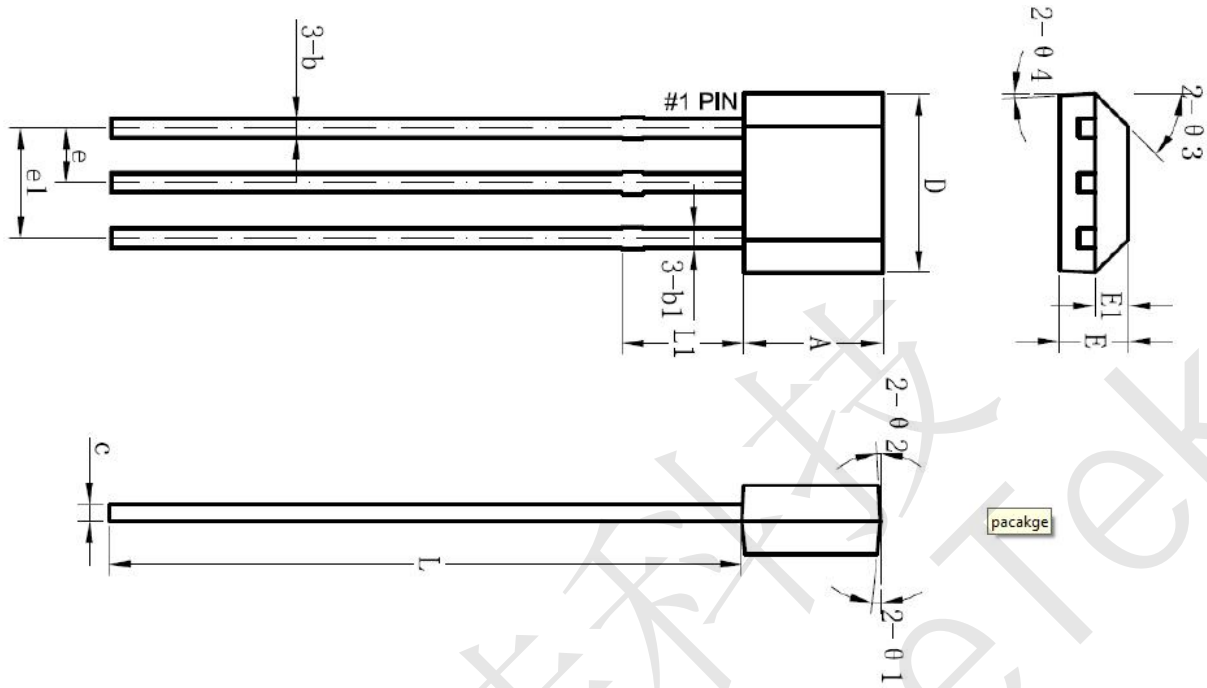
SSOT23-3L:



| Symbol | Dimensions In Millimeters | | Dimensions In Inches | |
|--------|---------------------------|-------|----------------------|-------|
| | Min. | Max. | Min. | Max. |
| A | 0.900 | 1.150 | 0.035 | 0.045 |
| A1 | 0.000 | 0.100 | 0.000 | 0.004 |
| A2 | 0.900 | 1.050 | 0.035 | 0.041 |
| b | 0.300 | 0.500 | 0.012 | 0.020 |
| c | 0.080 | 0.150 | 0.003 | 0.006 |
| D | 2.800 | 3.000 | 0.110 | 0.118 |
| E | 1.200 | 1.400 | 0.047 | 0.055 |
| E1 | 2.250 | 2.550 | 0.089 | 0.100 |
| e | 0.950(TPY) | | 0.037 (TPY) | |
| e1 | 1.800 | 2.000 | 0.071 | 0.079 |
| L | 0.550 REF | | 0.022 REF | |
| θ | 0° | 8° | 0° | 8° |
| X | 0.950(TPY) | | 0.037 (TPY) | |
| Y | 0.700(TPY) | | 0.028 (TPY) | |



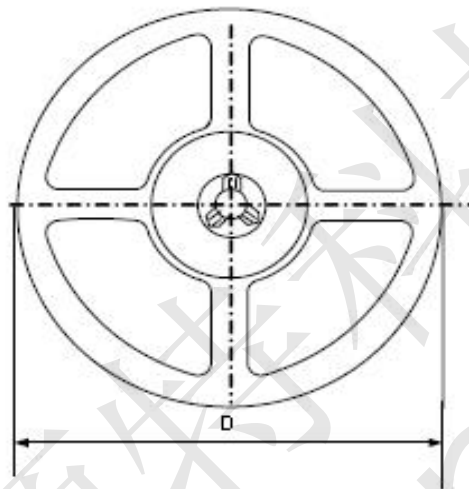
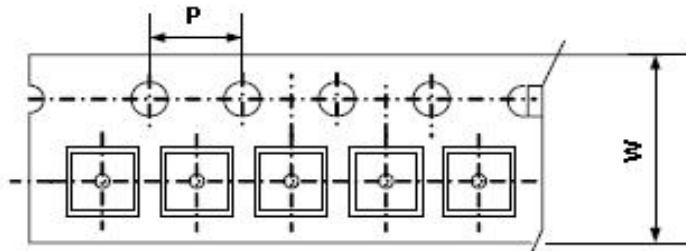
SIP-3L:



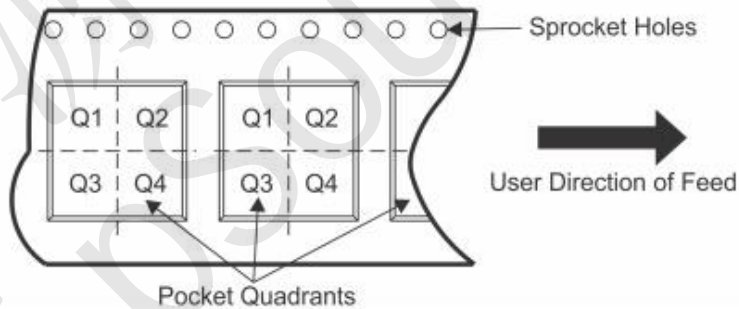
| Symbol | Dimensions In Millimeters | | | Dimensions In Inches | | |
|--------|---------------------------|-------|-------|----------------------|-------|-------|
| | Min. | Typ. | Max. | Min. | Typ. | Max. |
| A | 2.900 | 3.000 | 3.100 | 0.114 | 0.118 | 0.122 |
| b | 0.350 | 0.390 | 0.560 | 0.014 | 0.015 | 0.022 |
| b1 | - | 0.440 | - | - | 0.017 | - |
| C | 0.360 | 0.380 | 0.510 | 0.014 | 0.015 | 0.020 |
| D | 3.900 | 4.000 | 4.100 | 0.153 | 0.157 | 0.161 |
| E | 1.420 | 1.520 | 1.620 | 0.056 | 0.060 | 0.064 |
| E1 | - | 0.750 | - | - | 0.030 | - |
| e | - | 1.270 | - | - | 0.050 | - |
| e1 | - | 2.540 | - | - | 0.100 | - |
| L | 13.50 | 14.50 | 15.50 | 0.531 | 0.571 | 0.610 |
| L1 | - | 1.600 | - | - | 0.063 | - |
| θ1 | - | 6° | - | - | 6° | - |
| θ2 | - | 3° | - | - | 3° | - |
| θ3 | - | 45° | - | - | 45° | - |
| θ4 | - | 3° | - | - | 3° | - |



■ CST5981C Packing Information



QUADRANT ASSIGNMENTS FOR PIN 1 ORIENTATION IN TAPE



| Device | Package Type | SPQ | Carrier Width (W) | Pitch(P) | Reel Size(D) | Pin1 Quadrant |
|--------------|--------------|---------|-------------------|------------|--------------|---------------|
| CST5981CWRN | SOT553 | 3000pcs | 8.0±0.1 mm | 4.0±0.1 mm | 180±1 mm | Q3 |
| CST5981CSTRN | SOT23-3L | 3000pcs | 8.0±0.1 mm | 4.0±0.1 mm | 180±1 mm | Q3 |
| CST5981CS2RN | SSOT23-3L | 3000pcs | 8.0±0.1 mm | 4.0±0.1 mm | 180±1 mm | Q3 |

*All dimensions are nominal

■ CST5981C Packing Information

1. Packing type: Bulk
2. Packing minimum: 1000pcs