



### High Output Current LDO Regulator , High PSRR , Low Dropout, ME6207 Series

#### ME6207 General Description Features

The ME6207 Series is a positive voltage regulator with a low dropout voltage, high output voltage accuracy, and low current consumption developed based on CMOS technology.

A built-in low on-resistance transistor provides a low dropout voltage and large output current, a built-in overcurrent protector prevents the load current from exceeding the current capacitance of the output transistor. An ON/OFF circuit ensures a long battery life. Compared with the voltage regulators using the conventional CMOS process, a larger variety of capacitors are available, including small ceramic capacitors.

#### ME6207 Features

- Maximum Output Current: 800 mA ( $V_{IN} \geq V_{OUT(T)} + 1.0V$ )
- Dropout Voltage: 100mV @  $I_{OUT} = 300mA, V_{OUT} = 5.0V$
- Operating Voltage Range: 2V ~ 6.5V
- Highly Accuracy:  $\pm 1\%$
- Low Current Consumption:  
During Operation: 82uA (TYP.)  
During Shutdown: 0.1uA (TYP.)
- High Ripple Rejection: 65dB @ 1KHz (ME6207C50)
- Line Regulation: 0.05% (TYP.)

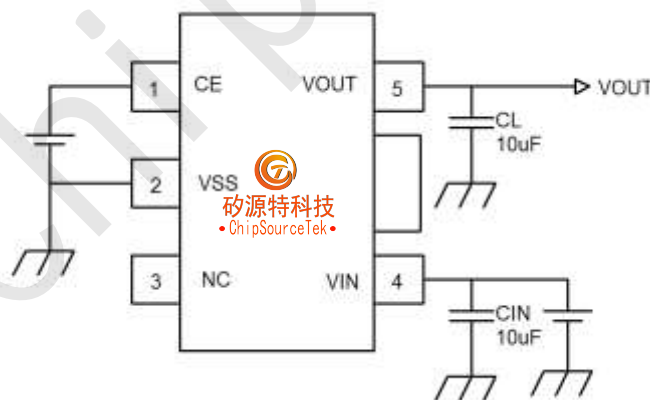
#### ME6207 Typical Application

- Power supply for DVD and CD-ROM drives
- Power supply for personal communication device
- Power supply for battery-powered devices
- Power supply for note PCs

#### ME6207 Package

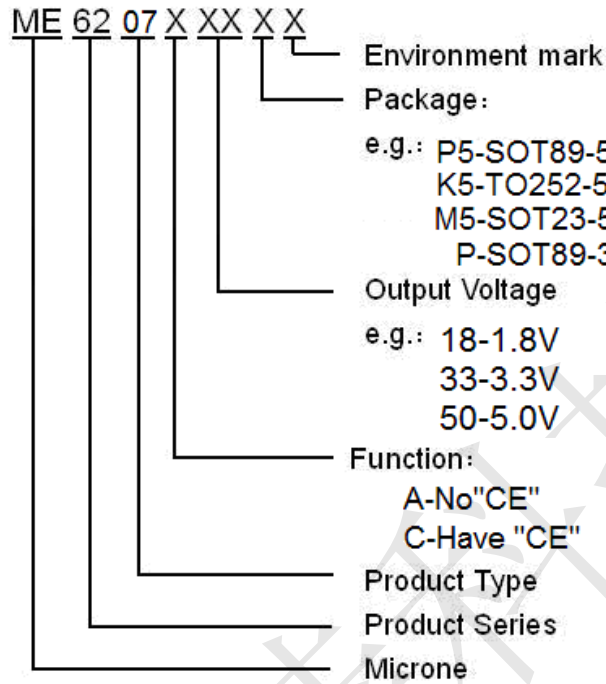
- 3-pin SOT89-3
- 5-pin SOT89-5, SOT23-5, TO252-5

#### ME6207 Typical Application Circuit





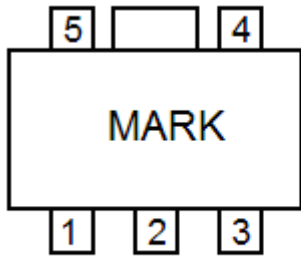
## ME6207 Selection Guide



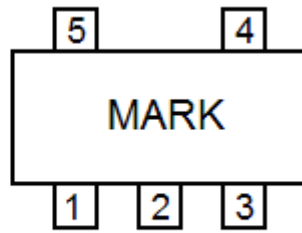
product series	product description
ME6207A50PG	$V_{OUT} = 5.0V$ ; no enable function; Package: SOT89-3
ME6207C18M5G	$V_{OUT} = 1.8V$ ; have enable function; Package: SOT23-5
ME6207C33M5G	$V_{OUT} = 3.3V$ ; have enable function; Package: SOT23-5
ME6207C50K5G	$V_{OUT} = 5.0V$ ; have enable function; Package: TO252-5
ME6207C50M5G	$V_{OUT} = 5.0V$ ; have enable function; Package: SOT23-5
ME6207C50P5G	$V_{OUT} = 5.0V$ ; have enable function; Package: SOT89-5



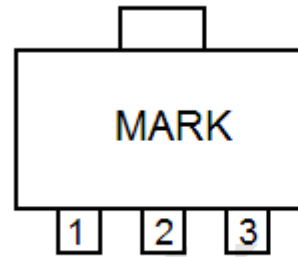
### ME6207 Pin Configuration



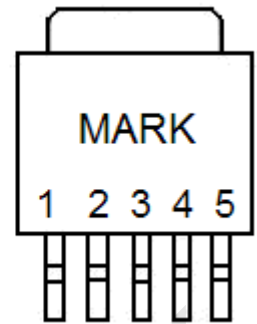
SOT-89-5



SOT23-5



SOT89-3



TO252-5

### ME6207 Pin Assignment

#### ME6207AXX

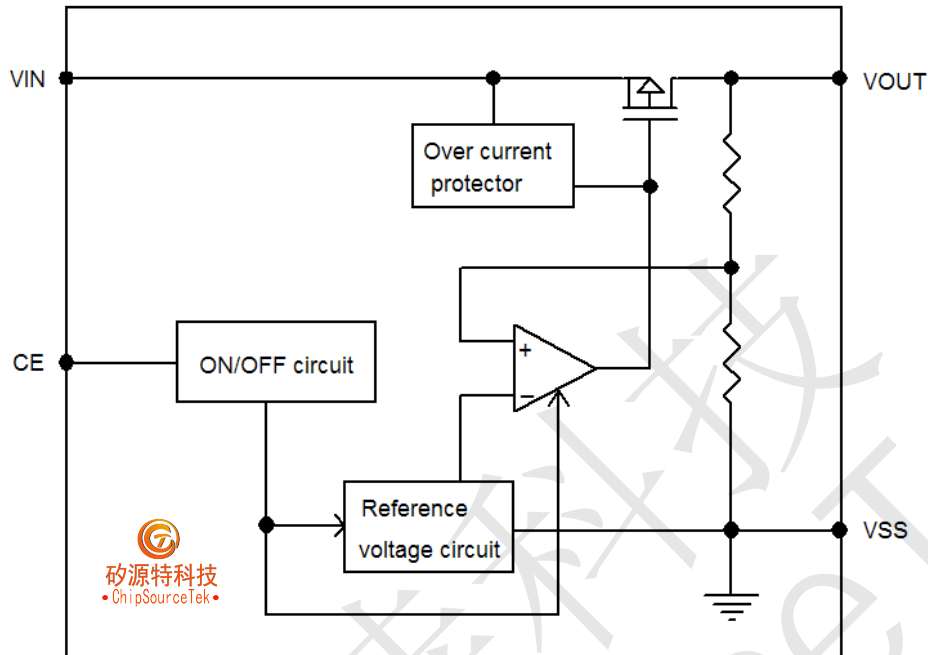
Pin Number	Pin Name	Functions
SOT89-3		
1	$V_{SS}$	Ground
2	$V_{IN}$	Input Voltage
3	$V_{OUT}$	Output Voltage

#### ME6207CXX

Pin Number			Pin Name	Functions
SOT89-5	SOT23-5	TO252-5		
1	3	5	CE	ON / OFF Control
2	2	3	$V_{SS}$	Ground
3	4	1	NC	No Connect
4	1	2	$V_{IN}$	Input Voltage
5	5	4	$V_{OUT}$	Output Voltage



### ME6207 Block Diagram



### ME6207 Absolute Maximum Ratings

Parameter	Symbol	Ratings	Units	
Input Voltage	$V_{IN}$	7.0	V	
Output Current	$I_{OUT}$	800	mA	
Output Voltage	$V_{OUT}$	$V_{SS}-0.3 \sim V_{IN} + 0.3$	V	
CE Pin Voltage	$V_{CE}$	$V_{SS}-0.3 \sim V_{IN} + 0.3$	V	
Power Dissipation	$P_D$	SOT-89-5	1000	mW
		TO252-5	1000	mW
		SOT-23-5	250	mW
		SOT-89-3	500	mW
Operating Temperature Range	$T_{OPR}$	$-40 \sim +85$	$^{\circ}C$	
Storage Temperature Range	$T_{STG}$	$-40 \sim +125$	$^{\circ}C$	



### ME6207 Electrical Characteristics

( $V_{IN} = V_{OUT(T)} + 1.0V$ ,  $V_{CE} = V_{IN}$ ,  $C_{IN} = C_L = 10\mu F$ ,  $T_a = 25^\circ C$ , unless otherwise noted)

Parameter	Symbol	Conditions	Min.	Typ.	Max.	Units	
Output Voltage	$V_{OUT(E)}$ (Note 2)	$I_{OUT} = 100mA$	X 0.99	$V_{OUT(T)}$ (Note 1)	X 1.01	V	
Input voltage	$V_{IN}$	-	2.0	-	6.5	V	
Maximum Output Current	$I_{OUTMAX}$ (Note 4)	$V_{IN} \geq V_{OUT(T)} + 1.0V$	-	800	-	mA	
Load Regulation	$\Delta V_{OUT}$	$1mA \leq I_{OUT} \leq 300mA$	-	10	100	mV	
Line Regulation	$\frac{\Delta V_{OUT}}{\Delta V_{IN} \cdot V_{OUT}}$	$I_{OUT} = 100mA$ $V_{OUT(T)} + 0.5V \leq V_{IN} \leq 6.5V$	-	0.05	0.3	%/V	
Dropout Voltage	$V_{DIF}$ (Note 3)	$I_{OUT} = 300mA$	$1.8V \leq V_{OUT(T)} \leq 2.0V$	-	200	260	mV
			$3.0V \leq V_{OUT(T)} \leq 5.5V$	-	100	180	
Current consumption during operation	$I_{SS1}$	CE pin = ON, no load	-	82	160	$\mu A$	
Current consumption during shutdown	$I_{SS2}$	CE pin = OFF, no load	-	0.1	1.0	$\mu A$	
CE "High" Voltage	$V_{CEH}$	Start up, $R_L = 1.0K\Omega$	1.5	-	-	V	
CE "Low" Voltage	$V_{CEL}$	Shut down, $R_L = 1.0K\Omega$	-	-	0.3	V	
CE "High" Current	$I_{CEH}$	$V_{IN} = 6.5V, V_{CE} = 6.5V$	-0.1	-	0.1	$\mu A$	
CE "Low" Current	$I_{CEL}$	$V_{IN} = 6.5V, V_{CE} = 0V$	-0.1	-	0.1	$\mu A$	
Ripple Rejection Rate	RR	$V_{IN} = 6V$ , $\Delta V_{rip} = 0.5V_{rms}$ , $I_{OUT} = 100mA$ , $f = 1kHz$	$1.8V \leq V_{OUT(T)} \leq 2.0V$	-	70	-	dB
			$3.0V \leq V_{OUT(T)} \leq 5.5V$	-	65	-	
Short-circuit current	$I_{short}$	CE pin = ON, $V_{OUT} = 0V$	-	350	-	mA	

#### Note :

- $V_{OUT(T)}$  : Specified Output Voltage
- $V_{OUT(E)}$  : Effective Output Voltage ( i.e. The output voltage when " $V_{OUT(T)} + 1.0V$ " is provided at the Vin pin while maintaining a certain Iout value.)
- $V_{DIF} = V_{IN1} - V_{OUT(E)}$   
 $V_{IN1}$  : The input voltage when  $V_{OUT(E)}$  appears as input voltage is gradually decreased.  
 $V_{OUT(E)}$  : A voltage equal to 98% of the output voltage whenever an amply stabilized Iout ( $V_{OUT(T)} + 1.0V$ ) is input.
- $I_{OUTMAX}$ : Due to restrictions on the package power dissipation, this value may not be satisfied. Attention should be paid to the power dissipation of the package when the output current is large. This specification is guaranteed by design.



### ME6207 Operation

#### 1. Basic operation

Figure 1 shows the block diagram of the ME6207 Series.

The error amplifier compares the reference voltage ( $V_{ref}$ ) with  $V_{fb}$ , which is the output voltage resistance-divided by feedback resistors  $R_s$  and  $R_f$ . It supplies the output transistor with the gate voltage necessary to ensure a certain output voltage free of any fluctuations of input voltage and temperature.

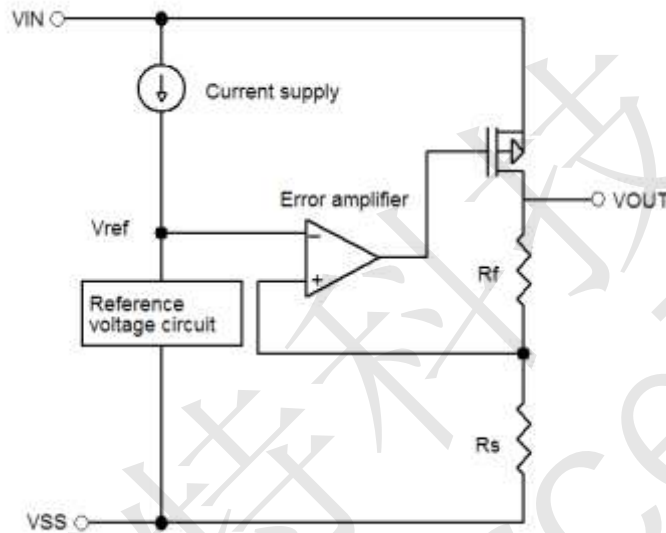


Figure 1

#### 2. Output transistor

The ME6207 Series uses a low on-resistance P-channel MOS FET as the output transistor. Be sure that  $V_{OUT}$  does not exceed  $V_{IN} + 0.3\text{ V}$  to prevent the voltage regulator from being damaged due to inverse current flowing from  $V_{OUT}$  pin through a parasitic diode to  $V_{IN}$  pin.

#### 3. Shutdown pin (CE pin)

This pin starts and stops the regulator.

When the CE pin is set to the shutdown level, the operation of all internal circuits stops, and the built-in P-channel MOS FET output transistor between the  $V_{IN}$  pin and  $V_{OUT}$  pin is turned off to substantially reduce the current consumption. The  $V_{OUT}$  pin becomes the  $V_{SS}$  level due to the internally divided resistance of several hundreds  $k\Omega$  between the  $V_{OUT}$  pin and  $V_{SS}$  pin. Since the CE pin is neither pulled down nor pulled up internally, do not use it in the floating state. In addition, note that the current consumption increases if a voltage of  $0.3\text{ V}$  to  $V_{IN} - 0.3\text{ V}$  is applied to the CE pin.

Table 1

CE Pin	Internal Circuits	VOUT Pin Voltage	Current Consumption
"H" Power on	Operating	Set value	$I_{SS1}$
"L" Power off	Stopped	$V_{SS}$ level	$I_{SS2}$



## ME6207 Precautions

1. Wiring patterns for the VIN, VOUT and GND pins should be designed so that the impedance is low. When mounting an output capacitor between the VOUT and VSS pins (CL) and a capacitor for stabilizing the input between VIN and VSS pins (CIN), the distance from the capacitors to these pins should be as short as possible.
2. Note that the output voltage may increase when a series regulator is used at low load current (1.0 mA or less).
3. Generally a series regulator may cause oscillation, depending on the selection of external parts. The following conditions are recommended for this IC. However, be sure to perform sufficient evaluation under the actual usage conditions for selection, including evaluation of temperature characteristics.

Input capacitor (CIN): 4.7  $\mu$ F or more

Output capacitor (CL): 4.7  $\mu$ F or more

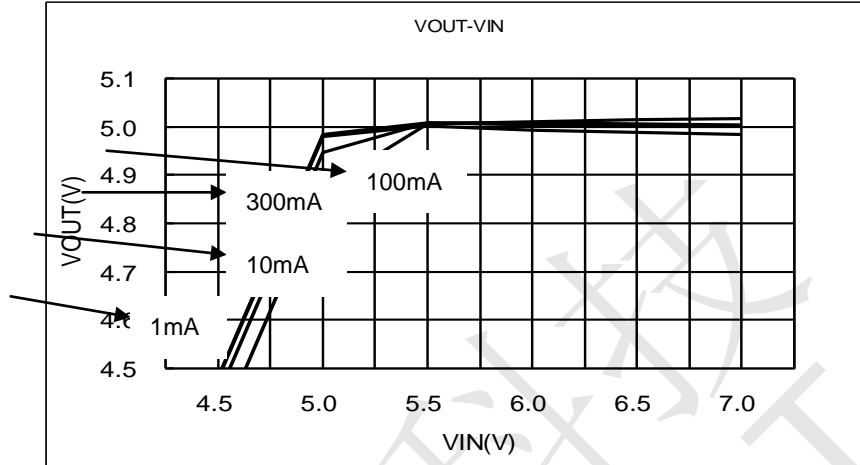
Equivalent series resistance (ESR): 0.5  $\Omega$  or less

4. The voltage regulator may oscillate when the impedance of the power supply is high and the input capacitor is small or an input capacitor is not connected.
5. The application conditions for the input voltage, output voltage, and load current should not exceed the package power dissipation.
6. Do not apply an electrostatic discharge to this IC that exceeds the performance ratings of the built-in electrostatic protection circuit.
7. SII claims no responsibility for any disputes arising out of or in connection with any infringement by products including this IC of patents owned by a third party.

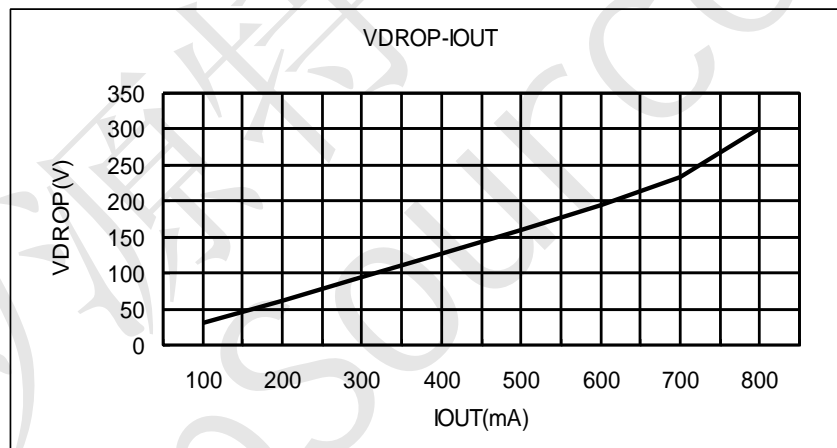


### ME6207 Type Characteristics

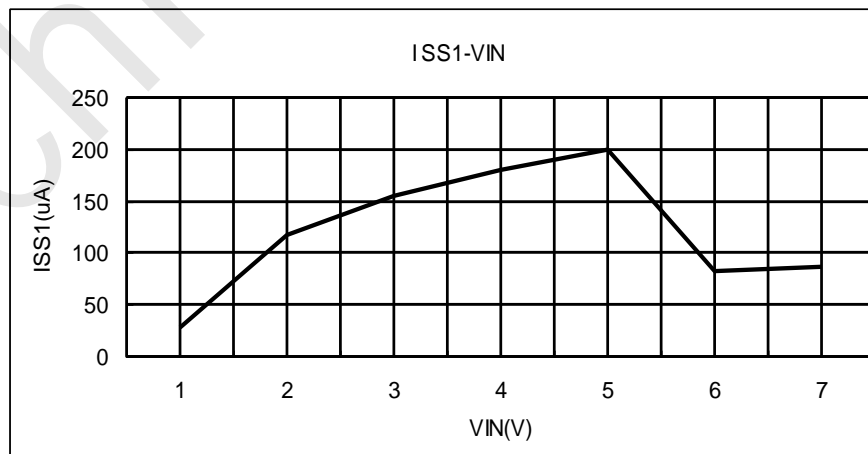
- (1) Input Voltage VS. Output Voltage ( $T_a = 25\text{ }^\circ\text{C}$ )  
ME6207C50P5G



- (2) Output Current VS. Dropout Voltage ( $V_{IN} = V_{OUT} (T) + 1.0V, T_a = 25\text{ }^\circ\text{C}$ )  
ME6207C50P5G



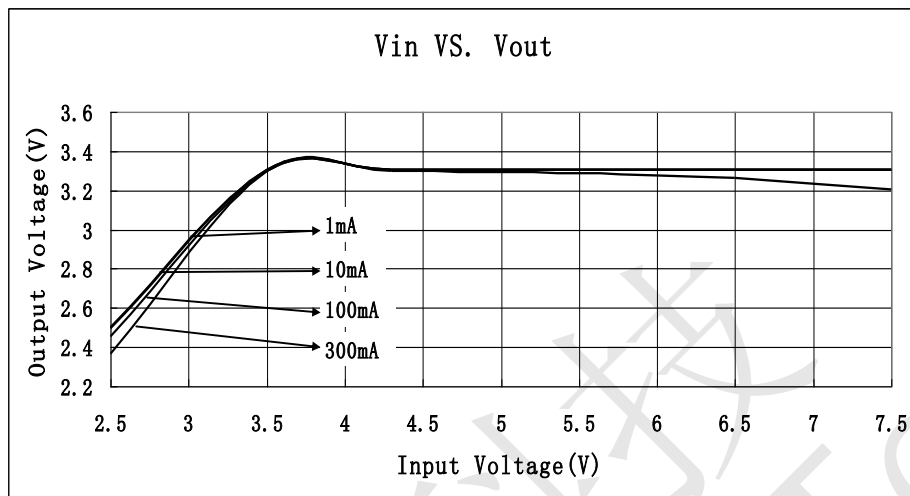
- (3) Input Voltage VS. Current Consumption ( $T_a = 25\text{ }^\circ\text{C}$ )  
ME6207C50P5G



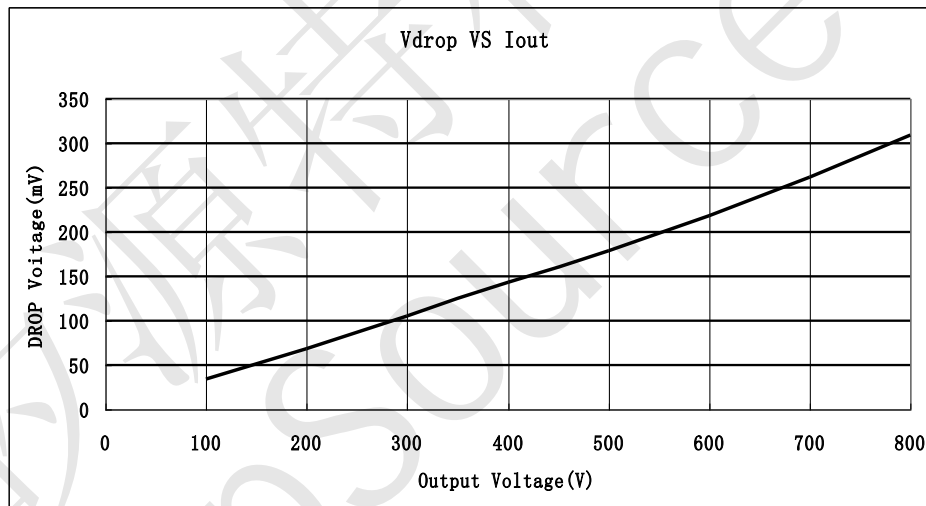




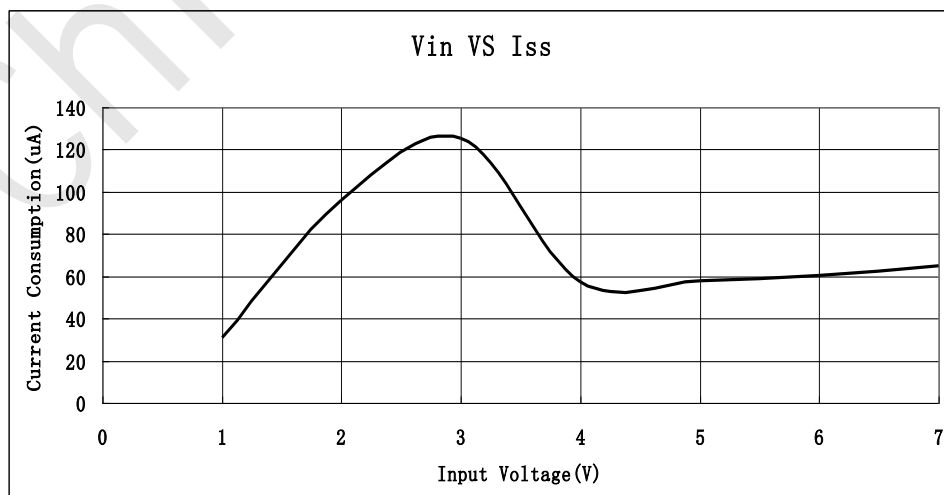
- (4) Input Voltage VS. Output Voltage ( $T_a = 25\text{ }^\circ\text{C}$ )  
ME6207C33M5G



- (5) Output Current VS. Dropout Voltage ( $V_{IN} = V_{OUT} (T) + 1.0V, T_a = 25\text{ }^\circ\text{C}$ )  
ME6207C33M5G

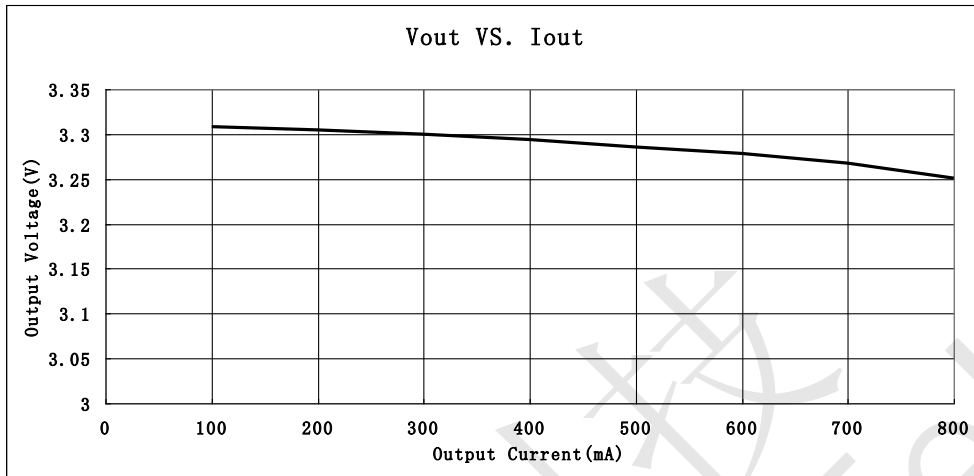


- (6) Output Current VS. Current Consumption ( $V_{IN} = V_{OUT} (T) + 1.0V, T_a = 25\text{ }^\circ\text{C}$ )  
ME6207C33M5G





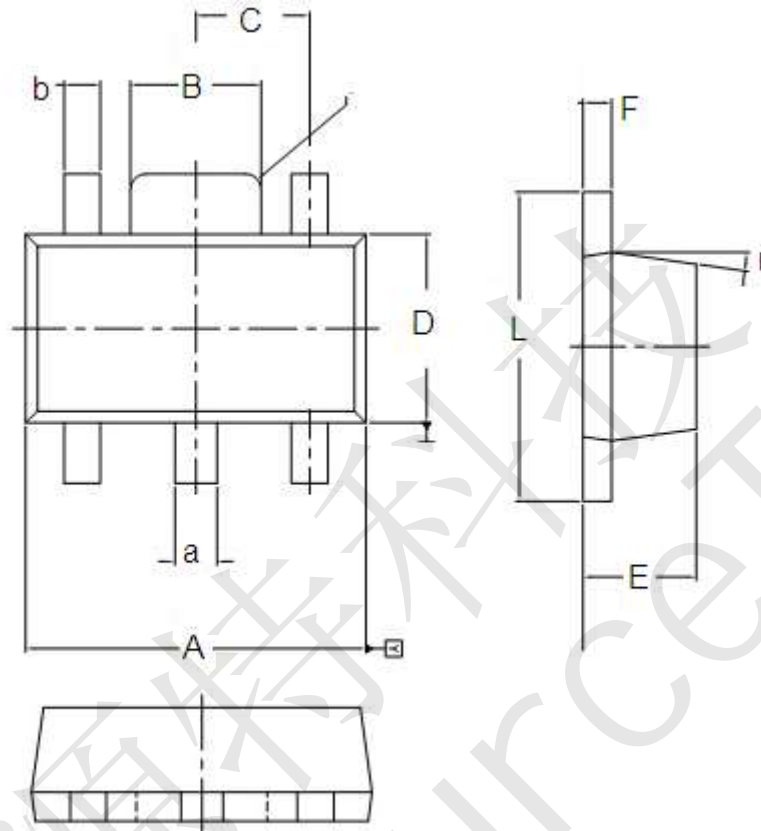
(7) Output Current VS. Output Voltage ( $V_{IN} = V_{OUT} (T) + 1.0V, T_a = 25^\circ C$ )  
ME6207C33M5G





**ME6207 Package Information:**

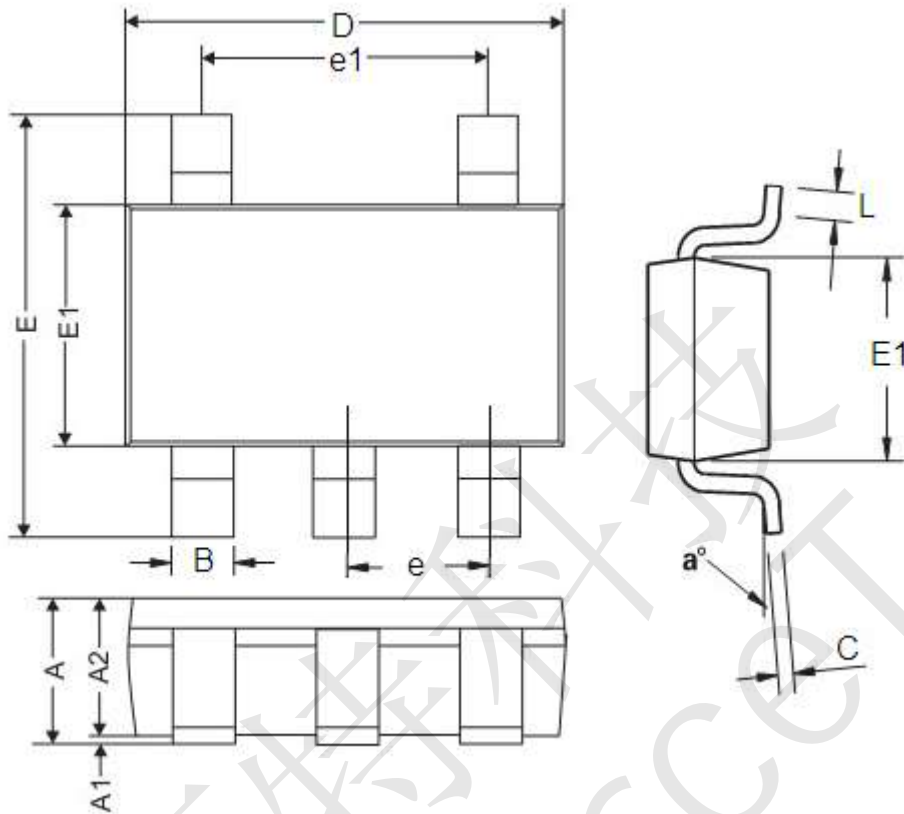
- SOT89-5



DIM	Millimeters		Inches	
	Min	Max	Min	Max
A	4.4	4.6	0.173	0.181
a	0.5	0.62	0.02	0.024
B	1.63	1.83	0.064	0.072
b	0.44	0.54	0.017	0.021
C	Type:1.5		Type:0.059	
D	2.4	2.6	0.094	0.102
E	1.4	1.6	0.054	0.063
F	0.35	0.43	0.013	0.017
L	3.95	4.25	0.155	0.167
r	Type:8 <sup>0</sup>		Type:8 <sup>0</sup>	



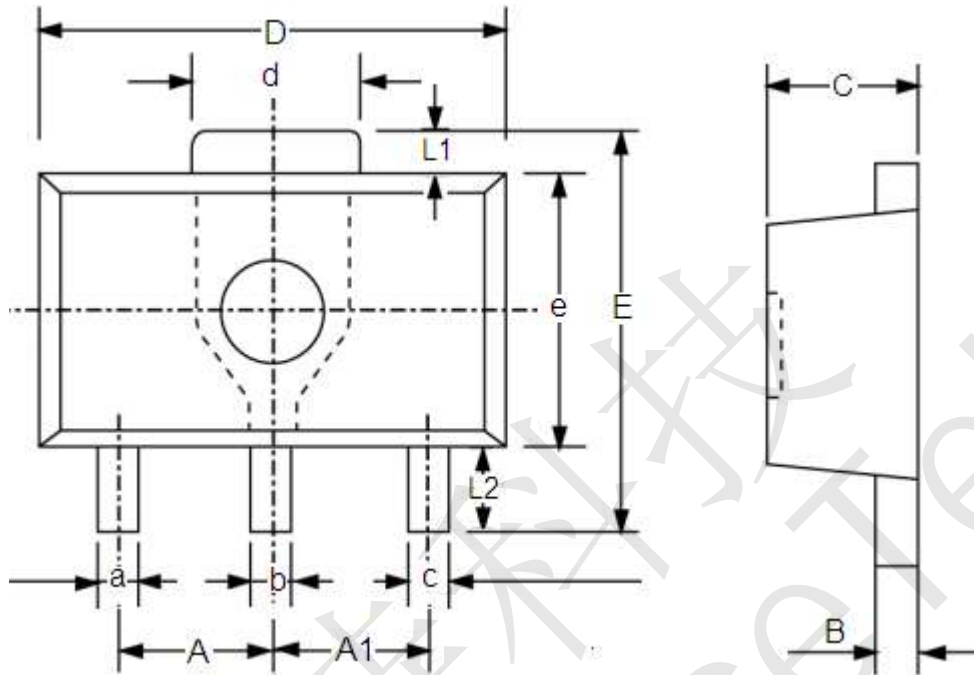
● SOT23-5



DIM	Millimeters		Inches	
	Min	Max	Min	Max
A	0.9	1.45	0.0354	0.0570
A1	0	0.15	0	0.0059
A2	0.9	1.3	0.0354	0.0511
B	0.2	0.5	0.0078	0.0196
C	0.09	0.26	0.0035	0.0102
D	2.7	3.10	0.1062	0.1220
E	2.2	3.2	0.0866	0.1181
E1	1.30	1.80	0.0511	0.0708
e	0.95REF		0.0374REF	
e1	1.90REF		0.0748REF	
L	0.10	0.60	0.0039	0.0236
$a^\circ$	$0^\circ$	$30^\circ$	$0^\circ$	$30^\circ$



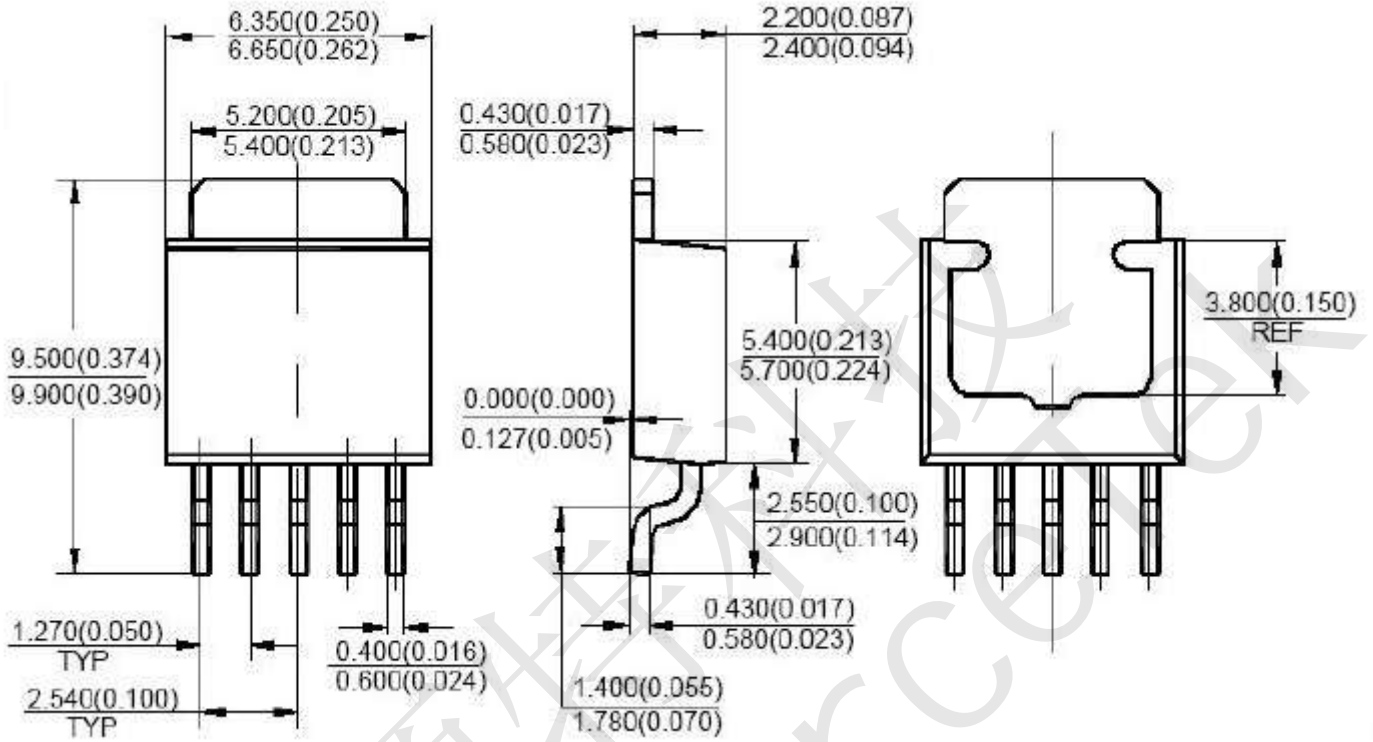
● SOT89-3



DIM	Millimeters		Inches	
	Min	Max	Min	Max
A	1.4	1.6	0.0551	0.0630
A1	1.4	1.6	0.0551	0.0630
a	0.36	0.48	0.0142	0.0189
b	0.41	0.53	0.0161	0.0209
c	0.36	0.48	0.0142	0.0189
d	1.4	1.75	0.0551	0.0689
B	0.38	0.43	0.015	0.0169
C	1.4	1.6	0.0551	0.0630
D	4.4	4.6	0.1732	0.181
E	-	4.25	-	0.1673
e	2.4	2.6	0.0945	0.1023
L1	0.4	-	0.0157	-
L2	0.8	-	0.0315	-



● TO252-5





- The information described herein is subject to change without notice.
- ChipSourceTek is not responsible for any problems caused by circuits or diagrams described herein whose related industrial properties, patents, or other rights belong to third parties. The application circuit examples explain typical applications of the products, and do not guarantee the success of any specific mass-production design.
- Use of the information described herein for other purposes and/or reproduction or copying without the express permission of ChipSourceTek is strictly prohibited.
- The products described herein cannot be used as part of any device or equipment affecting the human body, such as exercise equipment, medical equipment, security systems, gas equipment, or any apparatus installed in airplanes and other vehicles, without prior written permission of ChipSourceTek.
- Although ChipSourceTek exerts the greatest possible effort to ensure high quality and reliability, the failure or malfunction of semiconductor products may occur. The user of these products should therefore give thorough consideration to safety design, including redundancy, fire-prevention measures, and malfunction prevention, to prevent any accidents, fires, or community damage that may ensue.