





- (b) Working Register Increasing.
- (c) Step Jump by Working Register / Volume Status.
- **Three Mode Trigger IC :**
  - Key Stand-alone Trigger Mode :
    - A. Edge/Level
    - B. Hold/Unhold
    - C. Retrigger/Irretrigger
  - Serial Trigger Mode :  
Combinations of TG1 and TG2 to trigger maximum 63 Voice Group.
  - CPU Command Mode :  
User command through TG1,TG2,TG3 & TG4 with serial CPU Interface to control the Multi-Playback function.
- **Output status** (for each Output pin):
  - A. Stand by Status. (High/Low Status)
  - B. Busy Low Active.
  - C. Busy High Active.
  - D. LED Flash at 6 Hz.
  - E. LED Flash at 3 Hz.
  - F. LED Flash at 1.5 Hz.
  - G. LED Flash at 0.75 Hz.
  - H. PWM for LED Dimming Control.**
- **Play rate level :**

APT340 can provide different play rate in one code as follow below  
Reference Sample Rate.

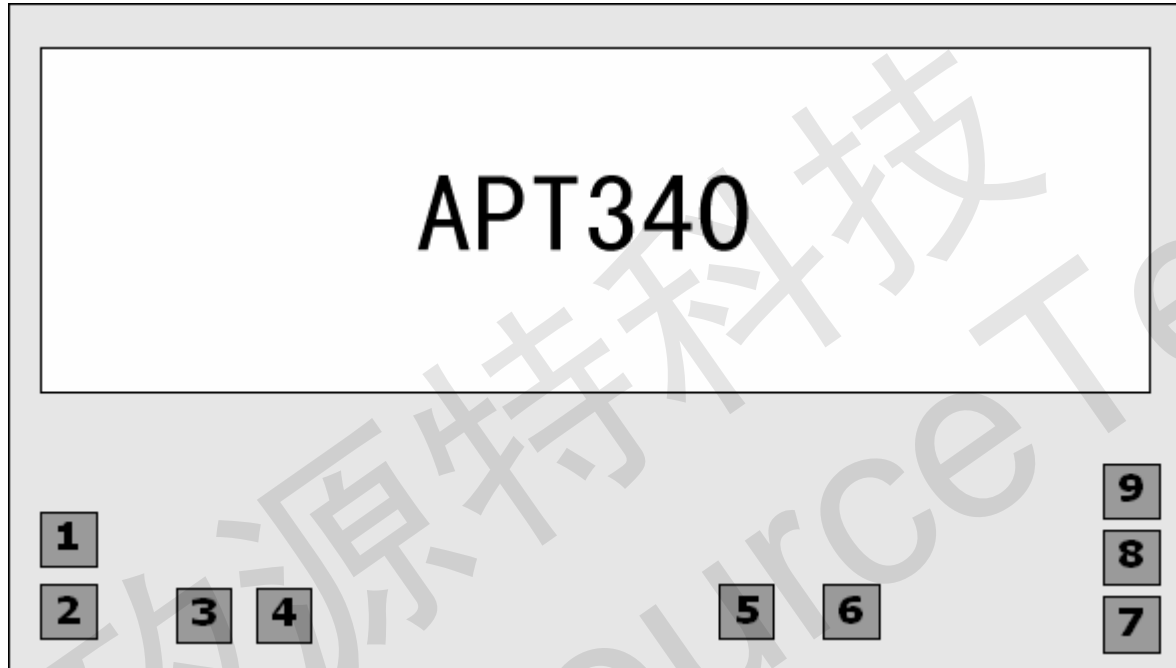
3K, 3.2K, 3.31K, 3.42K, 3.55K, 3.69K, 3.84K, 4K, 4.17K, 4.36K, 4.57K,  
4.8K, 5.05K, 5.33K, 5.64K, 6K, 6.4K, 6.85K, 7.38K, 8K, 8.72K, 9.6K,  
10.66K, 12K, 13.71K, 16K, 19.2K, 24K.
- **TG2 Low Reset**



● **TG3 Volume Control**

◆ **APT340 Pad Location**

CHIP SIZE= X : 1721um Y : 1003um



NO.	PAD NAME	X	Y	NO.	PAD NAME	X	Y
1	TG2/RSTB	-770	-328	6	VSS	433	-410
2	TG1	-770	-414	7	PWM1	787	-432
3	TG3	-599	-411	8	VDD	790	-348
4	TG4	-514	-411	9	PWM2	787	-263
5	VSS	250	-415				

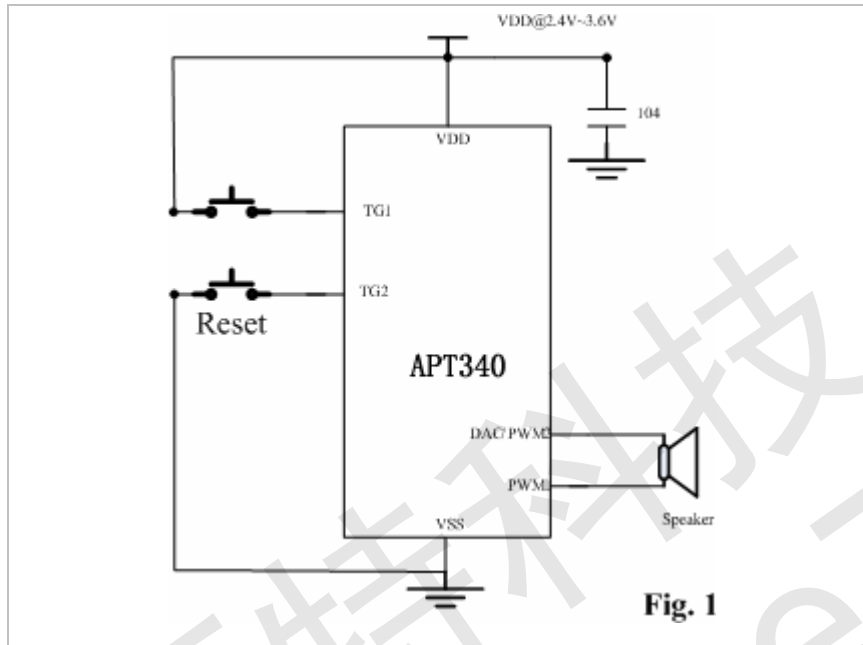


## ◆ PIN Descriptions

PIN NAME	I/O	Function
TG1	INPUT	Key Stand-alone Trigger Mode : TG1 is used to trigger the maximum 32 Voice Group one by one sequentially.
		Serial Trigger Mode : TG1 is used to trigger the maximum 63 Voice Group.
		CPU Command Mode : TG1 is used as Data Input Pin (CS).
	OUTPUT	As Output PIN , Output the BUSY or Flash Signal ./By Code Control
TG2/RSTB	INPUT	Key Stand-alone Trigger Mode : TG2 is used to trigger the maximum 21 Voice Group one by one sequentially.
		Serial Trigger Mode : TG2 is used to trigger the maximum 29 Voice Group
		CPU Command Mode : TG2 is used as Clock Pin (CLK).
TG3	INPUT	Key Stand-alone Trigger Mode : TG11 is used trigger Only One Group.
		CPU Command Mode : TG11 is used as Data Input Pin (DIO1).
	OUTPUT	As Output PIN , Output the BUSY or Flash Signal ./By Code Control
TG4	INPUT	Key Stand-alone Trigger Mode : TG4 is used trigger Only One Group.
		CPU Command Mode . TG4 is used as Selected Pin (DIO2).
	OUTPUT	As Output PIN , Output the BUSY or Flash Signal./By Code Control
PWM1	OUTPUT	As a PWM PIN , can Directly drive the Speaker .
PWM2	OUTPUT	As a PWM PIN , can Directly drive the Speaker .
		As a DAC PIN , 8 bit D/A Current Output.
VDD	INPUT	Power Supply PIN , @ 2.4~3.6 V Working Voltage.
VSS	INPUT	Connected to Ground.



◆ TG2 Low Reset



矽源特科技  
ChipSourceTek



## ◆ APT305 Application Circuit

### APT305 3V Stand-alone Mode

*PWM*

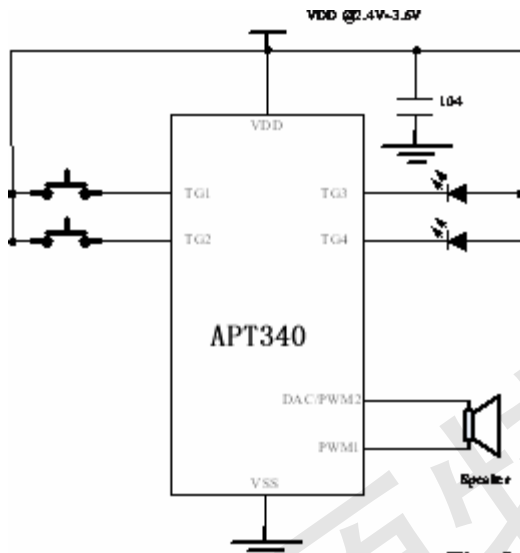


Fig 2

*DAC*

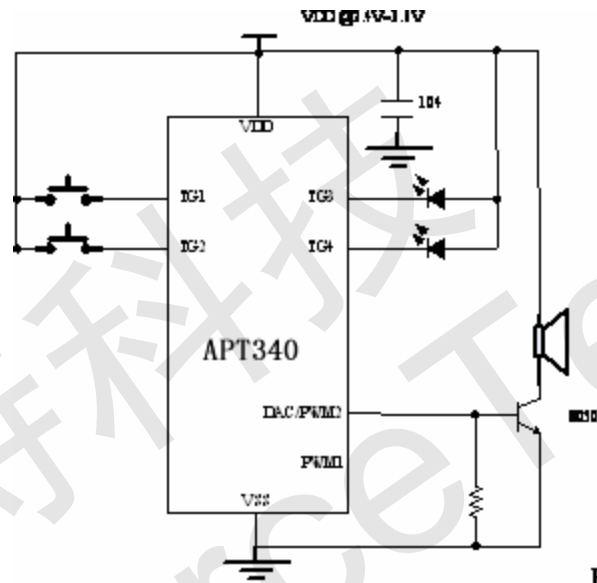


Fig 3



### APT305 3V Serial Mode

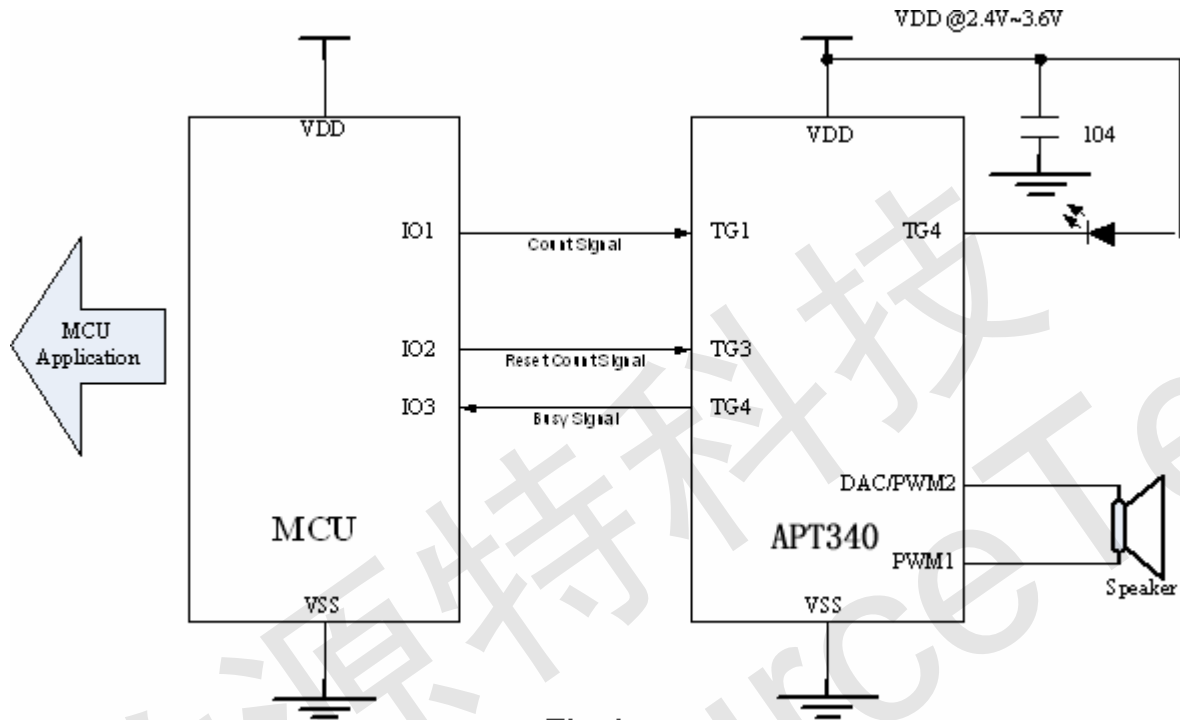


Fig. 4

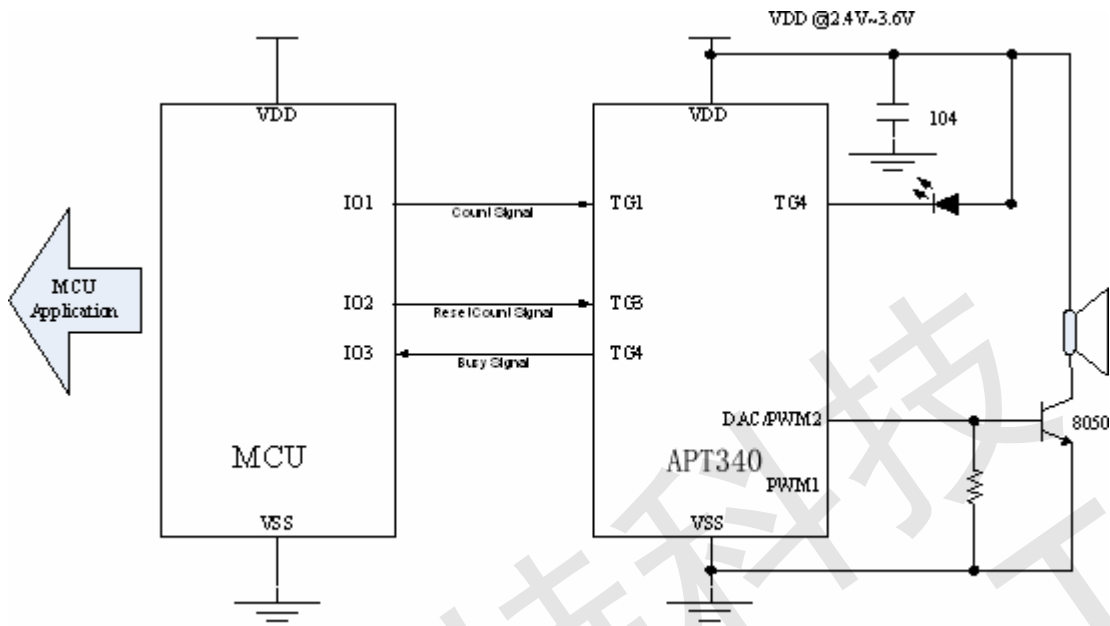
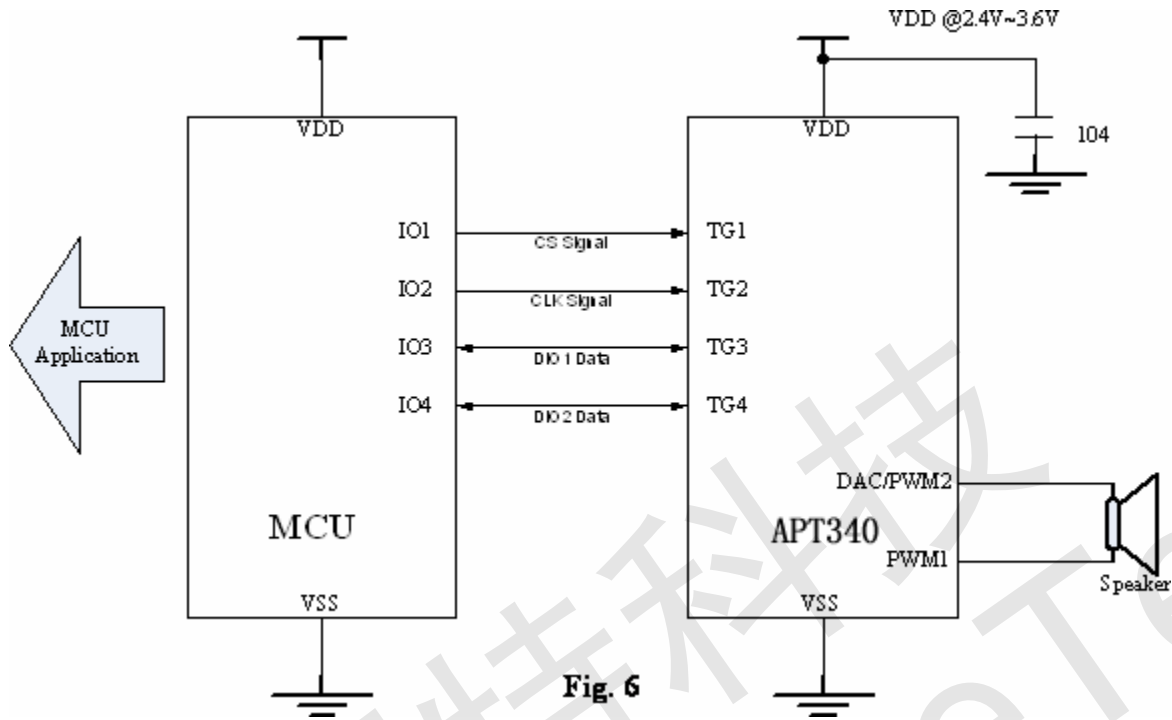


Fig. 5

**APT305 3V CPU Mode**





矽源特科技  
ChipSourceTek

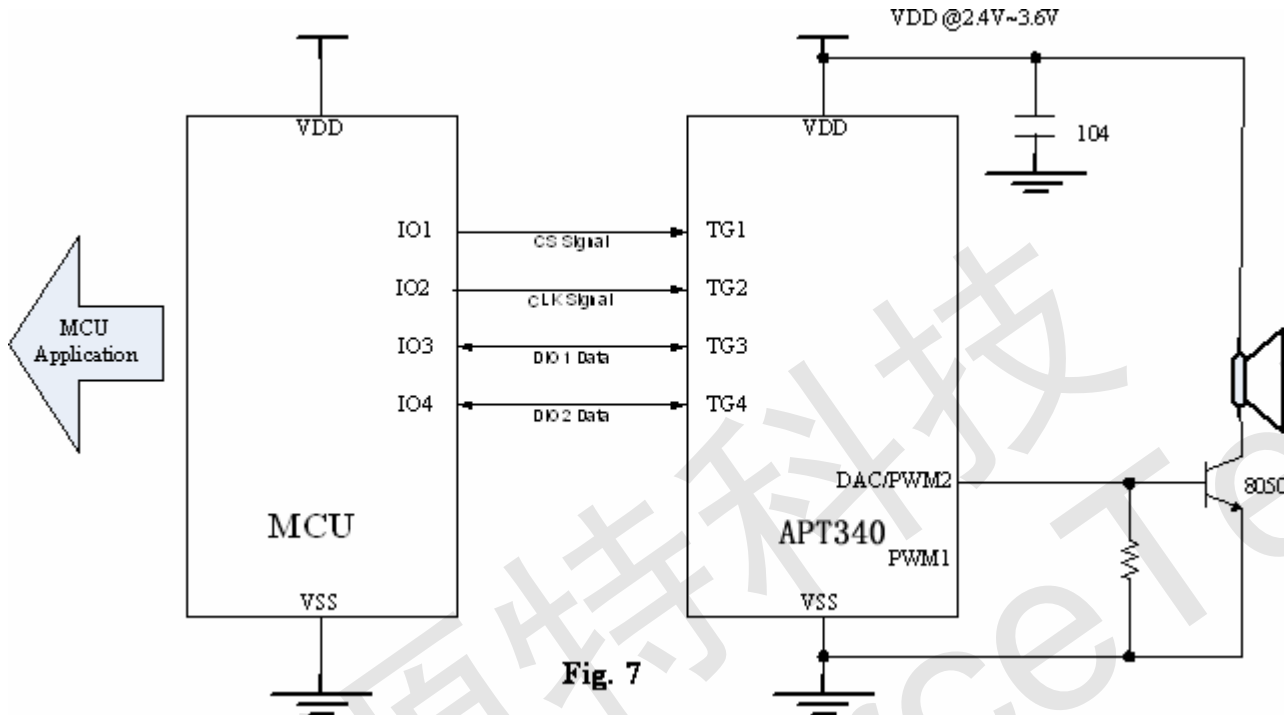
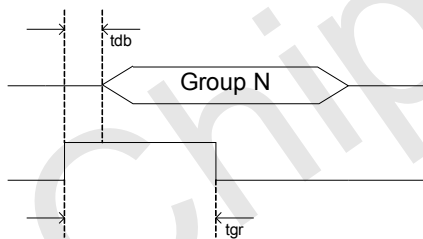


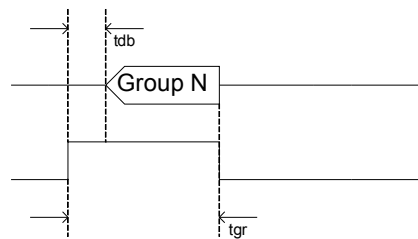
Fig. 7

## ◆ APT340 Trigger Timing

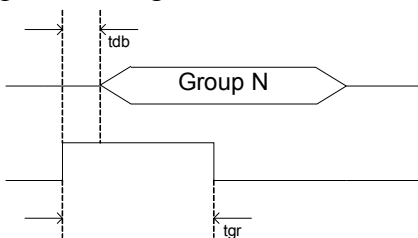
(a) Trigger Pulse Width < Group Length  
Option Setting = Edge / Unhold



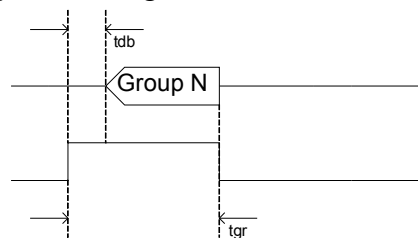
(b) Trigger Pulse Width < Group Length  
Option Setting = Edge / Hold



(c) Trigger Pulse Width < Group Length  
Option Setting = Level / Unhold



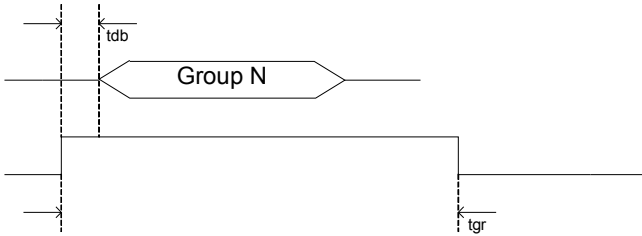
(d) Trigger Pulse Width < Group Length  
Option Setting = Level / Hold





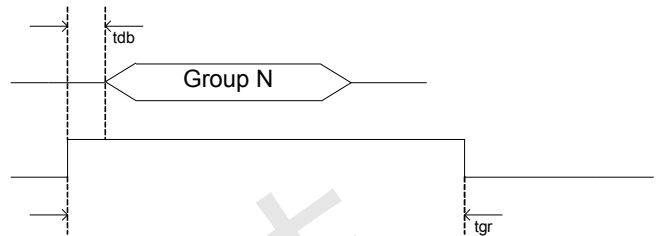
(e) Trigger Pulse Width > Group Length

Option Setting = Edge / Unhold



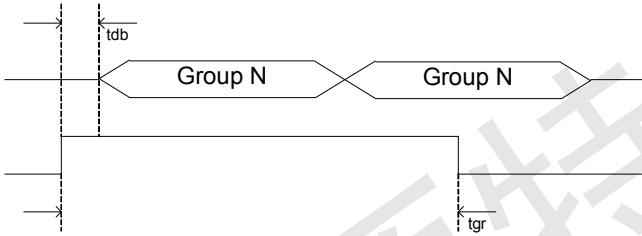
(f) Trigger Pulse Width > Group Length

Option Setting = Edge / Hold



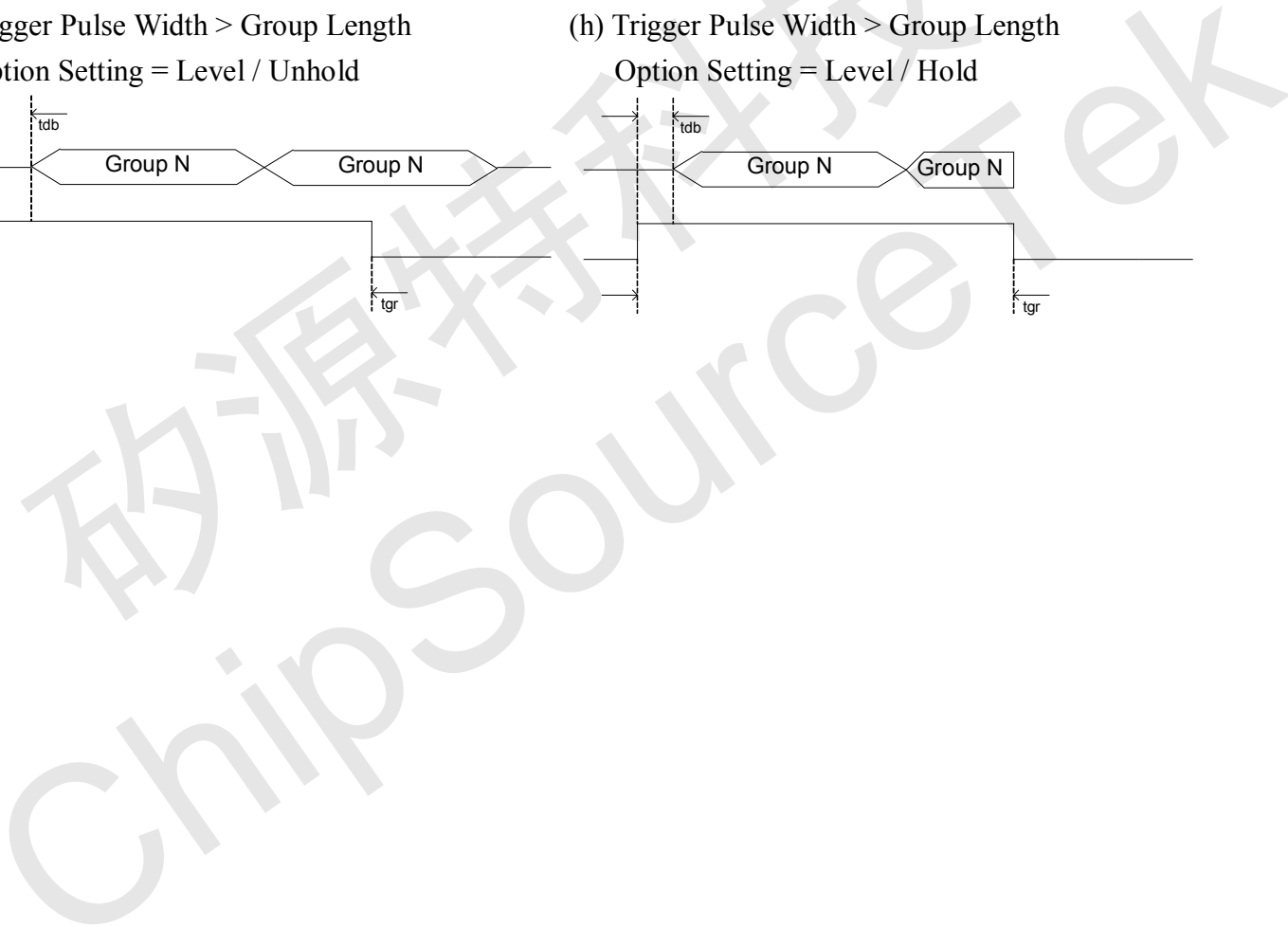
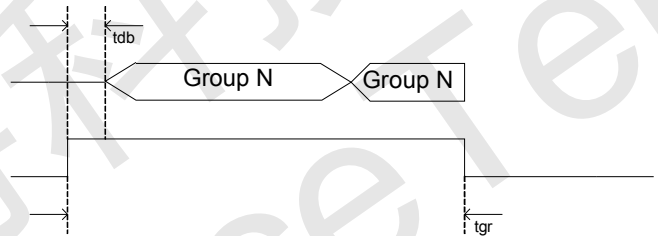
(g) Trigger Pulse Width > Group Length

Option Setting = Level / Unhold



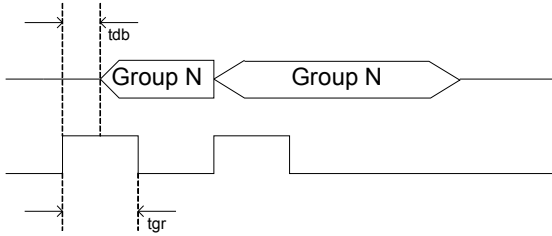
(h) Trigger Pulse Width > Group Length

Option Setting = Level / Hold

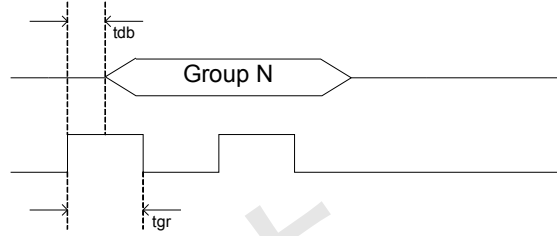




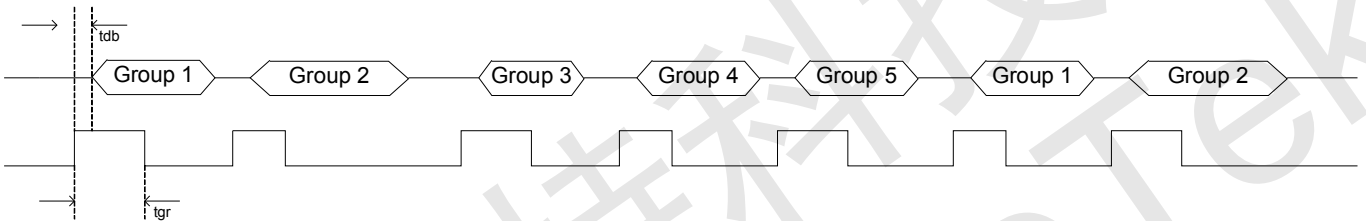
(i) Option Setting = Retrigger



(j) Option Setting = Irretrigger



(k) TG1 = Sequential Trigger & From Group1~Group5



矽源特科技  
ChipSourceTek



## ◆ APT340 Trigger Voice Combination Example

Voice File	Description
Voice File A	Hello ( 1.5'')
Voice File B	Good Morning (3'')
Voice File C	John (1'')
Voice File D	Tom (1'')
Voice File E	Mary (1.5'')

Group1 = Step1 + Step 2

Group 2 = Step3 + Step 4 + Step 5

Group 3 = Step 6 + Step 7

Group1 = Hello John

Group 2= Hello Tom Good Morning

Group 3 = Good Morning Mary

Step1 = Voice File A

Step 2 = Voice File C

Step 3 = Voice File A

Step 4 = Voice File D

Step 5 = Voice File B

Step 6 = Voice File B

Step 7 = Voice File E

Total use 3 Group , 7 Steps

Voice duration= Hello + Good Morning + John + Tom + Mary

= 1.5'' + 3'' + 1'' + 1'' + 1.5''

= 8''



Total duration = 8'' ( 20''-8'' = 32'' space are free , can add more Voice File )

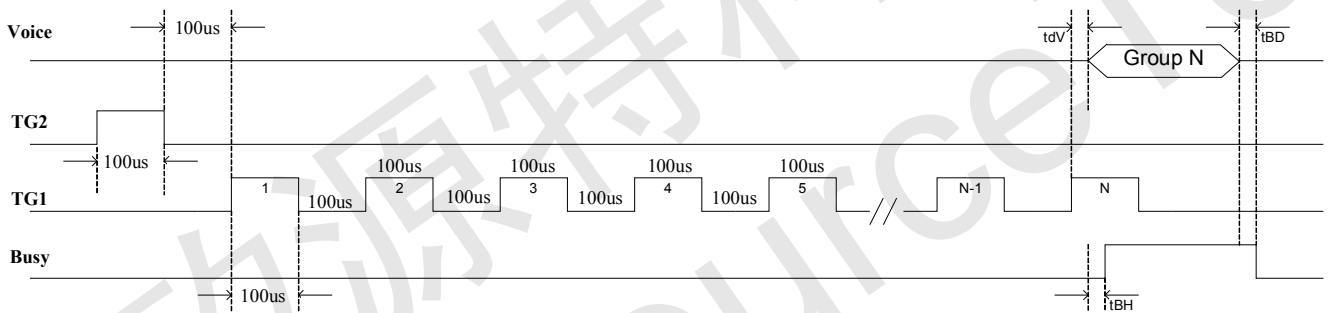
## ◆ APT340 Serial Mode Timing

TG1=Edge/Unhold/Retrigger

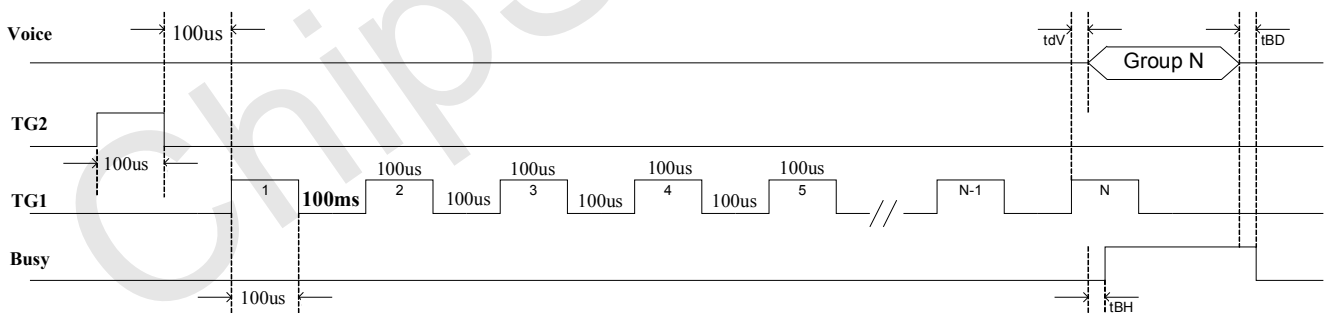
TG3=Reset PIN

※Tool : Controller Trigger

### ● PWM

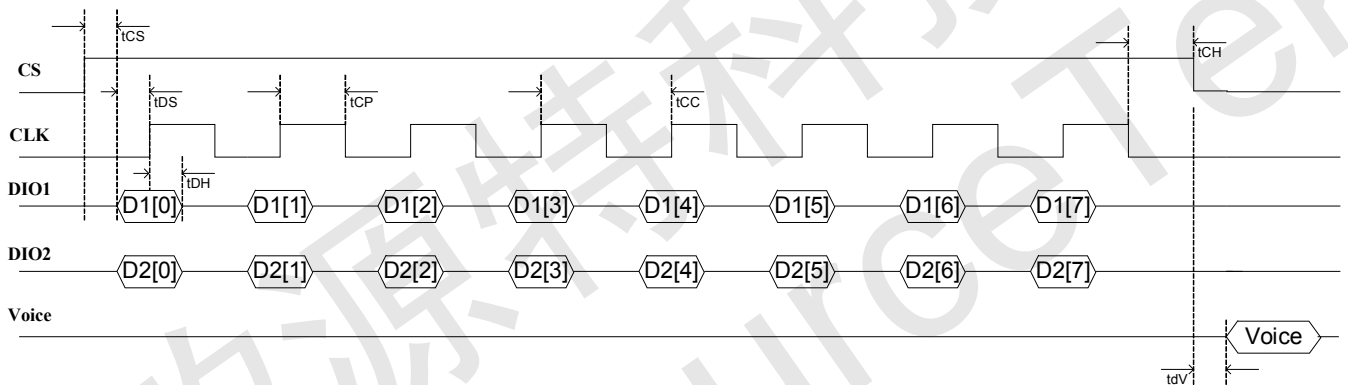


### ● DAC





## ◆ APT340 CPU Mode Timing



Command	PIN	HEX	[7]	[6]	[5]	[4]	[3]	[2]	[1]	[0]	Description
START	DIO1	A5h	1	0	1	0	0	1	0	1	Wake up the chip
	DIO2	05h	0	0	0	0	0	1	0	1	
END	DIO1	81h	1	0	0	0	0	0	0	1	Power down the chip into standby status
	DIO2	05h	0	0	0	0	0	1	0	1	
RESET	DIO1	83h	1	0	0	0	0	0	1	1	Stop the Playback and wait a new command
	DIO2	02h	0	0	0	0	0	0	1	1	
PAUSE	DIO1	83h	1	0	0	0	0	1	0	1	Pause the Playback and hold at the Voice data
	DIO2	07h	0	0	0	0	0	1	1	1	
RESUME	DIO1	05h	0	0	0	0	0	1	0	1	Resume Playback from the



	DIO2	07h	0	0	0	0	0	1	1	1	previous Voice data
--	------	-----	---	---	---	---	---	---	---	---	---------------------

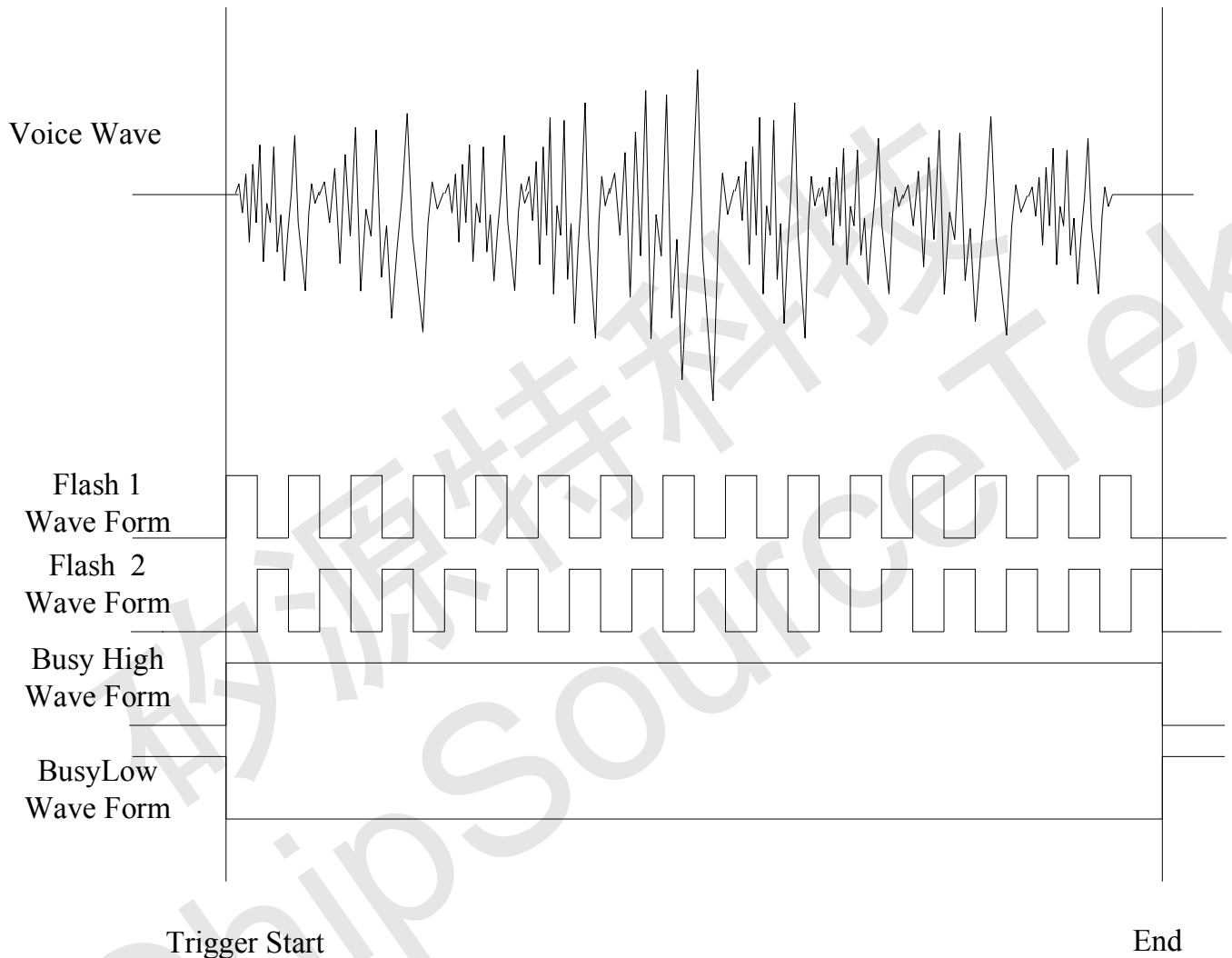
**Play** Address Command is generated by the Tool.

矽源特科技  
ChipSourceTek





## ◆ APT340 Voice Wave & Output Status





## ◆ DC Electrical Characteristics

Item	Symbol	Min	Typ	Max	Unit	Condition
Operating voltage	VDD	2.4	<b>3.0</b>	3.6	V	
Standby current	I <sub>sb</sub>		<b>1</b>	5	uA	VDD=3V,no load
Operating current	I <sub>op</sub>		<b>600</b>		uA	VDD=3V,no load
Drive current of Output	I <sub>od</sub>		<b>10</b>		mA	VDD=3V VOUT=0.6V
Sink current of Output	I <sub>os</sub>		<b>30</b>		mA	VDD=3V VOUT=2.4V
Drive current of PWM	I <sub>od</sub>		<b>200</b>		mA	VDD=3V,VOUT=1.5V
Sink current of PWM	I <sub>os</sub>		<b>200</b>		mA	VDD=3V,VOUT=1.5V



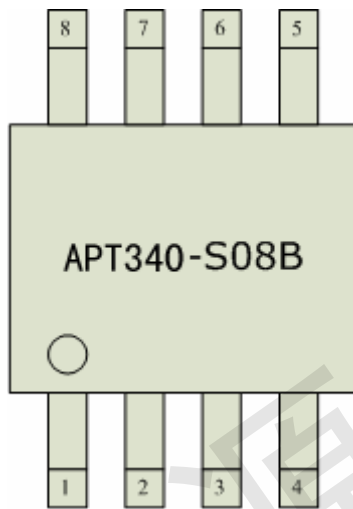
## ◆ AC Electrical Characteristics

Symbol	Characteristic	Rating			Unit
		Min.	Typ.	Max.	
tdb	Key Trigger debounce time (long)	14			ms
tdb	Key Trigger debounce time (short)	50			us
tBH	Busy signal output hold time	200			us
tBD	Busy signal output delay time	200			us
tdV	Voice output delay time	200			us
tCS	Chip Select setup time	1			us
tDS	Data In setup time	1			us
tDH	Data In hold time	1			us
tCP	Clock Pulse Width	1			us
tCC	Clock Cycle time	2			us
tCH	Chip Select hold time	1			us



## ◆ APT340 Package Information

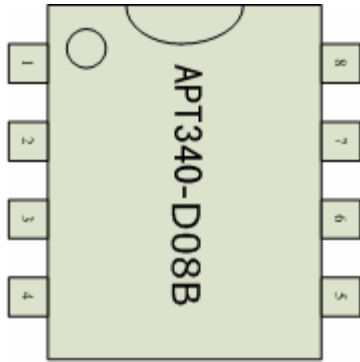
### APT340-S08B



PIN	NAME
1	TG2/RSTB
2	TG1
3	TG3
4	TG4
5	VSS
6	PWM1
7	VDD
8	PWM2/DAC



## APT340-D08B



PIN	NAME
1	TG2/RSTB
2	TG1
3	TG3
4	TG4
5	VSS
6	PWM1
7	VDD
8	PWM2/DAC

### ◆ Writer Mapping Description

**Writer Pin : TG2,TG1,TG3,TG4,PWM1,VDD,VSS**

OTP Writer Power Board Pin Mapping Table				
DIP 20	DIP 48	PAD Name	TG005-S08B	TG005-D08B
1 - VPP	37 - VPP	1-TG2/RSTB	1-TG2/RSTB	1-TG2/RSTB
2 - DIO1	38 - DIO1	3-TG3	3-TG3	3-TG3
3 - DIO2	39 - DIO2	4-TG4	4-TG4	4-TG4
4 - GND	11 - GND	5,6-VSS	5-VSS	5-VSS
5 - TEST	x	x	x	x
17 - RSTN	10 - RSTN	x	x	x
18 - CLK	12 - CLK	7-PWM1	6-PWM1	6-PWM1
19 - CS	13 - CS	2-TG1	2-TG1	2-TG1
20 - VCC	14 - VCC	8-VDD	7-VDD	7-VDD



## ◆ Writer Board Slot Location (DIP20)

