



TR4P151/153 General Purpose MCU

1. General Descriptions

The TR4P151/153 series are high-performance 4-bit RISC micro-controller embedded with up to 2KX12 bits OTP, 256X4 bits SRAM, one simple ADC, 8 bit PWM, up to 11 Input/Output ports and one input port. It's flexible and cost-effective solution for general purpose MCU applications.

2. Features

- Operating voltage: (1) 2.0V to 5.5V for Temp. = 25°C (2) 2.2V to 5.5V for Temp. = -40°C~+85°C
- This MCU can operate in high speed and low speed mode by software. Below is the chip performance in different modes.
 - (a) Internal high speed HRCOSC : 8 MIPS / 4 MIPS / 2 MIPS / 1 MIPS.
 - (b) Internal low speed LRCOSC : 114.69KIPS / 57.34 KIPS / 28.67 KIPS / 14.33 KIPS.
(KIPS means thousand instructions per second)
 - (c) External EXTOSC: 8 MIPS (16 MHz X'tal) ~ 0.5 MIPS (1 MHz X'tal).TR4P151AT/AF only.
- Memory Size
 - Program ROM size : 2KX12 bits (OTP type)
 - SRAM size: total 256x4 bits SRAM
- Wake up function for power-down mode
 - HALT mode wake up source: RTC timer overflow, PA0~3, PB0~3 and PD0~3 edge trigger
- 11 input /output ports: PA0~PA2, PB0~PB3, PD0~PD3. Each I/O can be bit programmable as input or output port. These 11 I/Os also provided level-change-wakeup function. Pull up and pull down resistor setting is available by software.
- 1 input port PA3, PA3 is shared with RSTB (reset) pin by option. It also provides level-change-wakeup function. Pull up and pull down resistor can be configured by software too.
- Port A, Port B and Port D are provided with high sink current 24mA @VDD=5V, Vol=0.5V(except PA3)
- Port A, Port B and Port D are provided with high drive current 23mA @VDD=5V, Voh=4.5V(except PA3)
- PA1 built-in 38KHz modulator by option.
- Built-in external 32KI or 1~16MHz X'tal oscillator by option.
- One 6 bit simple AD converter.
- One Op-Amp is provided, three pins shared with PD0, PD1, PB2 (by option).
- One comparator is provided, two input pins shared with PD2, PD3 (by option).
- Three timers
 - Timer 1: 8 bits timer/counter/PWM, its clock source can be from chip-internal or external.
 - Timer 2: 8 bits timer
 - RTC : time period 0.125 /0.25/0.5/1 Sec or 15.625/31.25/62.5/125 ms,
RTC Clock source comes from internal LRCOSC or external 32k X'tal oscillator.
- Four reset condition
 - Low voltage reset (LVR 1.8V)
 - Power on reset
 - External RSTB pin shared with PA3 pin by option.
 - Watch dog timer overflow reset (0.125 sec ~ 1 sec by option)
- Three internal interrupt sources: TIMER1, TIMER2 or RTC interrupt.
- WDT(Watch dog timer)
 - WDT can be enabled/disabled in HALT mode by option
 - WDT clock source comes from internal LRCOSC or external 32K X'tal for reliable operation.
- Provides 8 Bits PWM, PWM signal output is shared with PA2 pin by option.
- Built-in high frequency internal 32MHz RC oscillator (HRCOSC, frequency deviation within $\pm 2\%$, temperature range at -40°C~+85°C, Vdd = 2.0V to 5.5V)
- Built-in low frequency internal RC OSC (LRCOSC) 459KHz (frequency deviation within $\pm 12\%$)

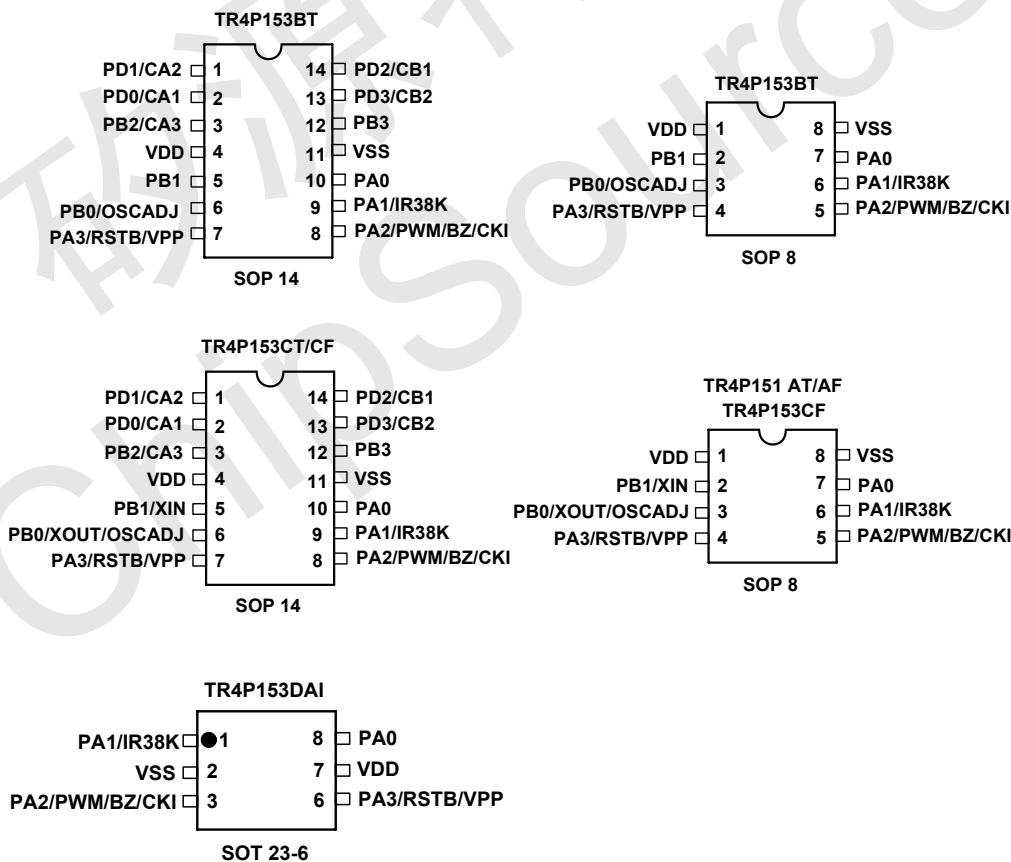


Selection table

Feature P/N	OTP ROM	SRAM (bits)	I/O Pin	OP and Comparator	Simple ADC	User Information block (Note1)	reusable COB by UV erasing	Ext. 32K RTC	1~16 MHz Ext. X'tal	Support FT test	Reset Flag
TR4P151AT (SOP8)	1.3K words (1280 + 16 words)	128x4	5 I/O + 1 I	No	No	16 words	No	Yes	Yes	Yes	Yes
TR4P151AF (SOP8)	1.5K words (1504 words)			No	No	No	Yes	Yes	Yes	No	Yes
TR4P153BT (SOP8/14)	1.6K words (1536 + 48 words)	256x4	11 I/O + 1 I (5 I/O + 1 I for SOP8)	Yes (no support SOP8)	No	48 words	No	No	No	Yes	No
TR4P153CT (SOP14)	1.6K words (1536 + 48 words)				Yes	48 words	No	Yes	No	Yes	No
TR4P153CF (SOP8/14)	2K words (1984 words)				No	No	Yes	Yes	No	No	No
TR4P153DAI (SOT23-6)	2K words (1984 words)		3 I/O+1 I	No	No	No	No	No	No	No	No

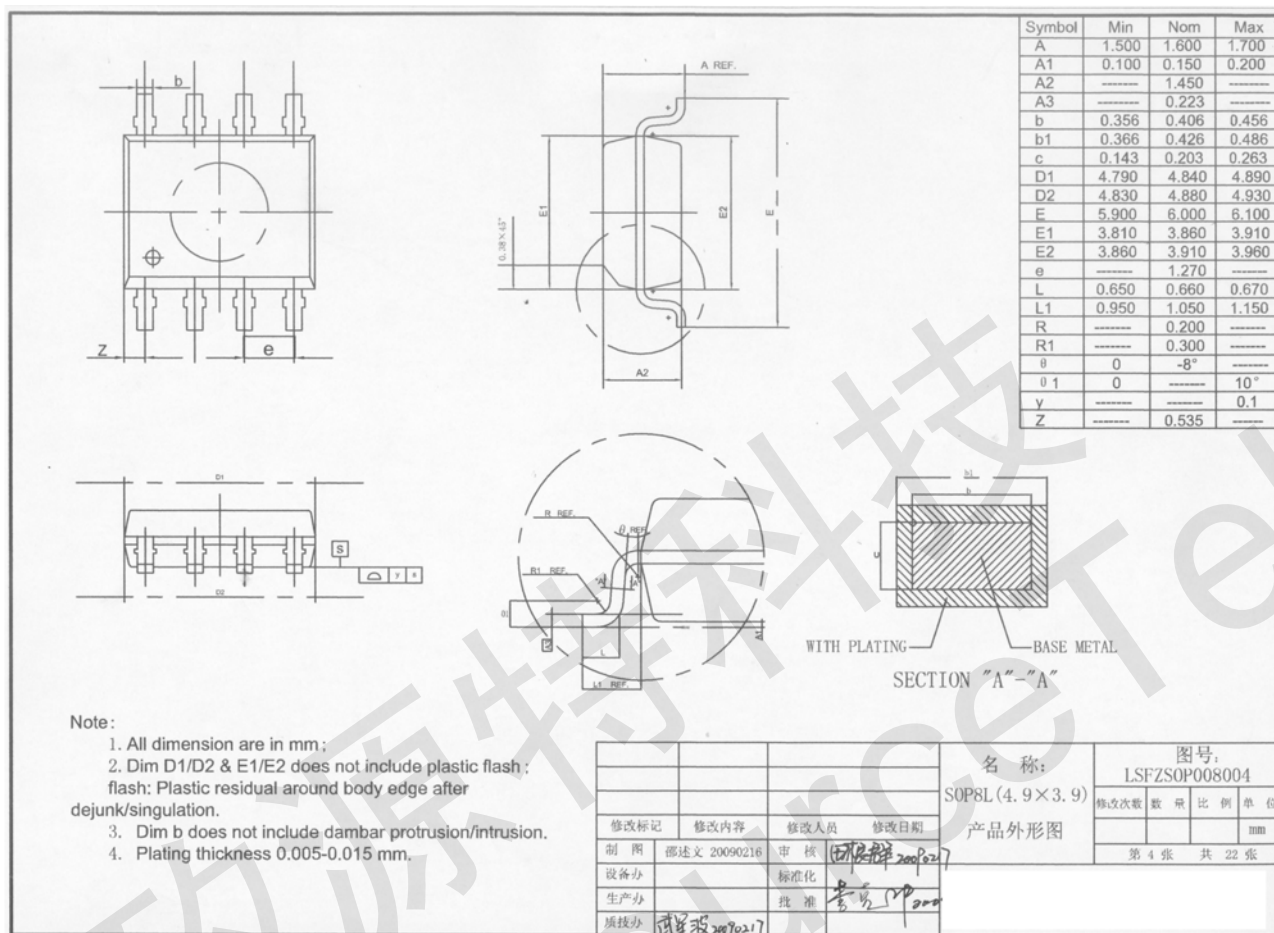
Note 1 : Support user Information block (48X12 bits) for serial number, lot number or user optional codes ...etc. It's located at address 640h ~ 66Fh.

Package (6/8/14 SOP)



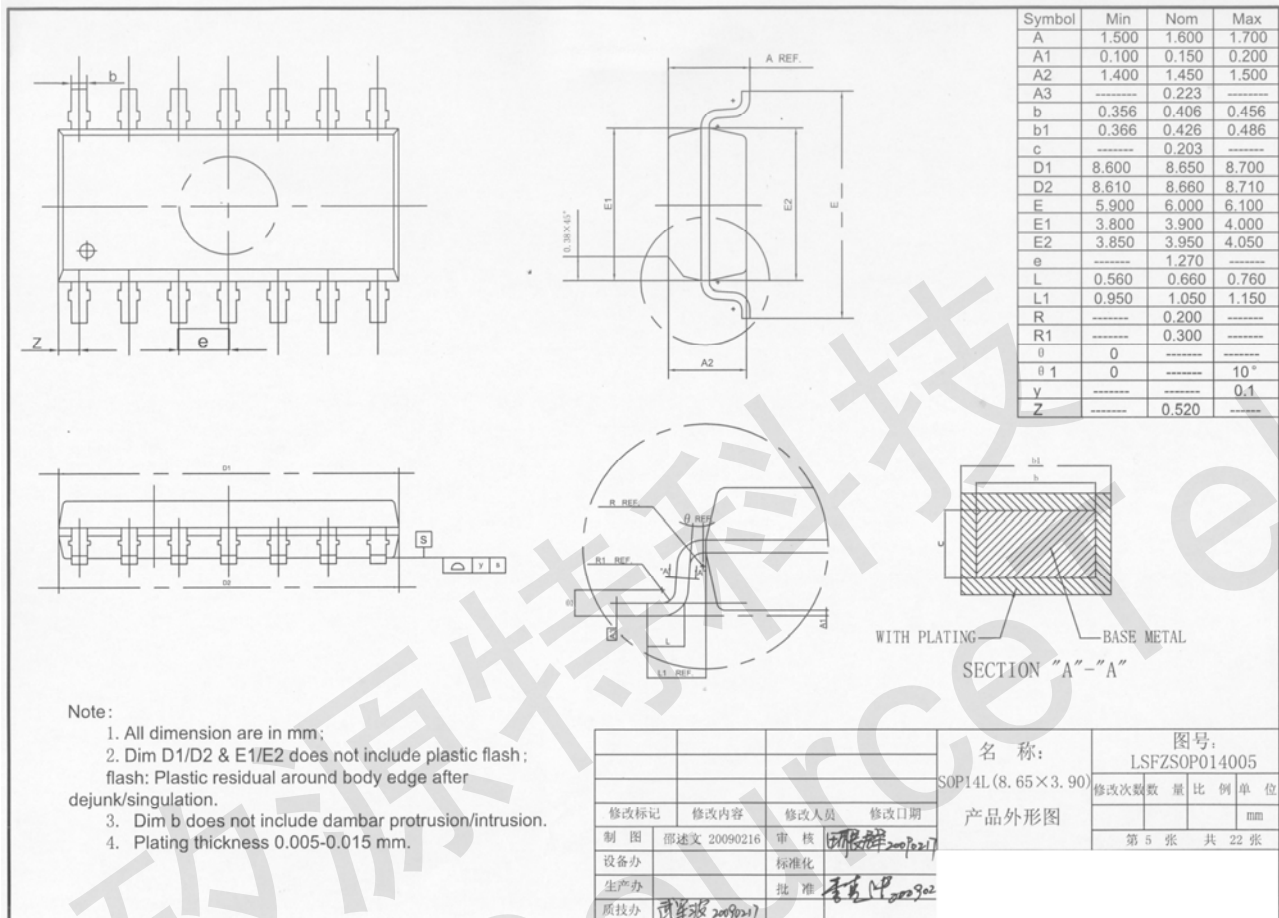


Package Dimension(8SOP)





Package Dimension(14SOP)

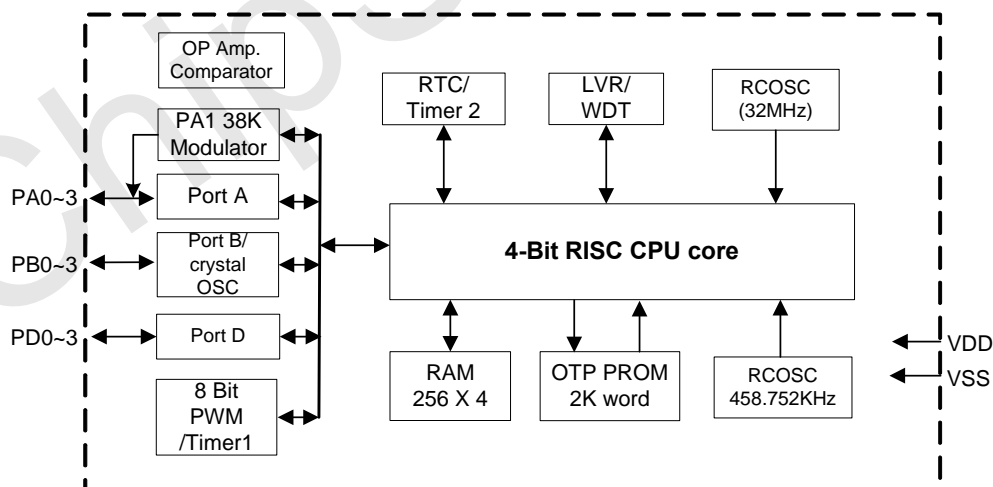




3. Pads Information

PAD Name	Type	State After Reset	Description
Power Input			
VDD	I	High	Power input pin
VSS	I	Low	Ground input pin
General I/O ports			
PA0~PA2	I/O	XXX	PA0~PA2 are programmable I/O ports, with pull up and down resistor 100K ohm. Level-change-wakeup function is provided. PA1 is shared with IR38K function by option. PA2 is shared with PWM/CKI/BZ functions by option.
PA3 (RSTB/VPP)	I	X	PA3 is an input pin only, with pull up resistor 60K ohm, or pull down resistor 100K ohm. Level-change-wakeup function is provided. PA3 is shared with RSTB pin by option.
PB0~PB3	I/O	XXXX	PB0~PB3 are programmable I/O ports, with pull up and down resistor 100K ohm. Level-change-wakeup function is provided. PB0 is shared with XOUT/OSCADJ by option. OSCADJ pin is used for frequency adjust of HRCOSC. PB1 is shared with XIN pin by option. XIN and XOUT is connected to external 32K or 1~16MHz X'tal. PB2 is shared with the output CA3 of Op Amp by option.
PD0~PD3	I/O	XXXX	Port D is a programmable I/O port, with pull up and down resistor 100K ohm. Level-change-wakeup function is provided. PD0 and PD1 are shared with two inputs (CA1, CA2) of Op AMP by option. PD2 and PD3 are shared with two inputs (CB1, CB2) of a comparator by option. CB2 pin is also analog input of Simple ADC by option.

Block Diagram





4. ELECTRICAL CHARACTERISTICS

4.1 Absolute Maximum Ratings

ABSOLUTE MAXIMUM RATINGS

PARAMETER	SYMBOL	RATING	UNIT
DC Supply Voltage	V+	< 7.0	V
Input Voltage Range	V _{IN}	-0.5 to VDD+0.5	V
Operating Temperature	T _A	-40 to +85	°C
Storage Temperature	T _{STO}	-50 to +150	°C

4.2 DC/AC Characteristics

DC CHARACTERISTICS (T_A = 25°C, VDD = 3V, unless otherwise noted)

PARAMETER	SYMBOL	TEST CONDITIONS	LIMIT			UNIT
			Min	Typ	Max	
Operating voltage	V _{VDD1}	Temp. = 25°C	2.0	-	5.5	V
	V _{VDD2}	Temp.= -40°C~+85°C	2.2		5.5	V
Operating Current	I _{OP1}	VDD=3V , MCU run 8 MIPS		2.6		mA
	I _{OP2}	VDD=5V , MCU run 8 MIPS		3.0		mA
	I _{OP3}	VDD=3V , MCU run 1 MIPS		1.6		mA
	I _{OP4}	VDD=5V , MCU run 1 MIPS		2.0		mA
	I _{OP5}	VDD=3V , MCU run 14 KIPS		50		uA
	I _{OP6}	VDD=3V , MCU run 114.7 KIPS		200		uA
Standby Current	I _{STBY1}	MCU stop in HALT mode WDT & RTC off		2.5 (VDD=3V) 3 (VDD=5V)		uA
	I _{STBY2_}	1.VDD=5V 2.MCU stop in HALT mode, WDT on or RTC on		8		uA
Input High Level	V _{IH}	All I/O port	0.8*V _{DD}			V
Input Low Level	V _{IL}	All I/O port			0.2*V _{DD}	V
Output Drive Current	I _{OH1}	VDD=3V , V _{OH} =2.5V,All I/O port	-8	-15		mA
	I _{OH2}	VDD=5V , V _{OH} =4.5V,All I/O port	-12	-23		mA
Output Sink Current	I _{OL1}	VDD=3V , V _{OL} =0.5V,All I/O port	8	15		mA
	I _{OL2}	VDD=5V , V _{OL} =0.5V,All I/O port	12	24		mA
PA,PB,PD pull down Res.	R _{down1}	Pull down 180K ohm, VDD=3V	140	180	220	K ohm
	R _{down2}	Pull down 100K ohm, VDD=5V	60	90	120	K ohm
PA,PB,PD pull up Res. (except PA3)	R _{up1}	Pull up 180K ohm, VDD=3V	140	180	220	K ohm
	R _{up2}	Pull up 100K ohm, VDD=5V	60	90	120	K ohm
PA3 pull up Res.	R _{up3}	Pull up 60K ohm ,VDD=2V~5V	40	60	80	K ohm
LVR	V _{LVR1}	Temp. = 25°C	1.6	1.8	2.0	V
	V _{LVR2}	Temp.= -40°C~+85°C	1.4	1.8	2.2	V
SRAM Data Retention voltage	V _{DR}		1.0			V



AC CHARACTERISTICS (TA = 25°C, VDD = 3V, unless otherwise noted)

PARAMETER	SYMBOL	TEST CONDITIONS	LIMIT			UNIT
			Min	Typ	Max	
Internal HRCOSC Frequency	F _{HRCOSC}	VDD = 2.0V~5.5V Temp = -40°C~+85°C	31.36	32 ±2%	32.64	MHz
Internal LRCOSC Frequency	F _{LRCOSC1}	VDD = 2.0V~5.5V Temp. = 25°C		458.752 ±12%		KHz
	F _{LRCOSC2}	VDD = 2.0V~5.5V Temp = -40°C~+85°C		458.752 ±20%		KHz
External X'tal EXT32K	F _{XT32K}	VDD = 2.0V~5.5V		32768		Hz
External X'tal EXTOSC (TR4P151AT/AF only)	F _{XTOSC}	VDD = 2.0V~5.5V		1~16		MHz
MCU operating frequency (clock source from F _{HRCOSC})	F _{MCK1}	1.in NORMAL mode 2.Clock source : F _{HRCOSC} 3.VDD = 2.0V~5.5V 4.Temp. -40°C~+85°C		8 ±2%, 4 ±2% 2 ±2%, 1 ±2% (F _{HRCOSC} /4, F _{HRCOSC} /8, F _{HRCOSC} /16, F _{HRCOSC} /32)		MIPS
MCU operating frequency (clock source F _{LRCOSC})	F _{MCK2}	1.in GREEN mode 2.VDD = 2.0V~5.5V 3.Temp. = 25°C		114.69±12%,57.34±12% 28.67±12%,14.33±12%		KIPS
MCU operating frequency (clock source from F _{XTOSC}) (TR4P151AT/AF only)	F _{MCK3}	1.in NORMAL mode 2.Clock source : F _{XTOSC} 3.VDD = 2.0V~5.5V 4 Temp. -40°C~+85°C 5.If F _{XTOSC} = 16Mhz		8 , 4 , 2 , 1 (F _{XTOSC} /2, F _{XTOSC} /4, F _{XTOSC} /8, F _{XTOSC} /16)		MIPS
PA1, 38KHz output (clock source F _{HRCOSC})	F _{38K1}	1.in NORMAL mode 2.PA1 IR38K option enabled 3.Register F38K=1 4.Temp. = 25°C		38.09 ±2% (F _{HRCOSC} /840)		KHz
PA1, 38KHz output (clock source F _{LRCOSC})	F _{38K2}	1.in GREEN mode 2.PA1 IR38K option enabled 3.Register F38K=1 4.Temp. = 25°C		38.23 ±12% (F _{LRCOSC} /12)		KHz
RTC period	T _{RTC1}	VDD = 2.0V~5.5V Temp. = 25°C clock source F _{LRCOSC} SPUP option enabled		0.125±12%, 0.25±12% 0.5±12%, 1.0±12%		Sec
	T _{RTC2}	VDD = 2.0V~5.5V Temp. = 25°C clock source F _{LRCOSC} SPUP option disabled		15.625±12%,31.25±12% 62.5±12%, 125±12%		ms
	T _{RTC3}	VDD = 2.0V~5.5V clock source F _{XT32K} SPUP option enabled		0.125, 0.25, 0.5, 1.0		Sec
	T _{RTC4}	VDD = 2.0V~5.5V clock source F _{XT32K} SPUP option disabled		15.625, 31.25, 62.5, 125		ms
WDT period	T _{WDT1}	VDD = 2.0V~5.5V Temp. = 25°C clock source F _{LRCOSC}		0.125±12%, 0.25±12% 0.5±12% , 1.0±12%		Sec
	T _{WDT2}	VDD = 2.0V~5.5V clock source F _{XT32K}		0.125, 0.25, 0.5, 1.0		Sec



Stable clock delay after power on or system reset	CKstable1	System oscillator --HRCOSC (Note 1)		160us+ 1024 x (1/ F _{MCK1}) (Note 3)		us
Stable clock delay after power on or system reset (TR4P151AT/AF only)	CKstable2	System oscillator --EXTOSC (Note 2)		160us + 1024 x (1/ F _{MCK2}) (Note 5)		us
Stable clock delay after wake up	CKstable3	System oscillator --HRCOSC (Note 2)		64 x (1/ F _{MCK1}) (Note 3)		us
Stable clock delay after wake up (TR4P151AT/AF only)	CKstable4	System oscillator --EXTOSC (Note 4)		1024 x (1/ F _{MCK2}) (Note 5)		us

Note1: The stable clock delay (CKstable1) is a delay between HRCOSC-started and 1st instruction-execution. This delay will ensure stable system clock after power on or reset.

Note2: The stable clock delay (CKstable2) is a delay between clock output of EXTOSC and 1st instruction. This delay will ensure stable system clock after power on or reset.

Note3: The stable clock delay (CKstable3) is a delay between HRCOSC-started and 1st instruction-execution of wakeup. This delay will ensure stable system clock after wake up.

Note4: The stable clock delay (CKstable4) is a delay between EXTOSC-started and 1st instruction-execution of wakeup. This delay will ensure stable system clock after wake up.

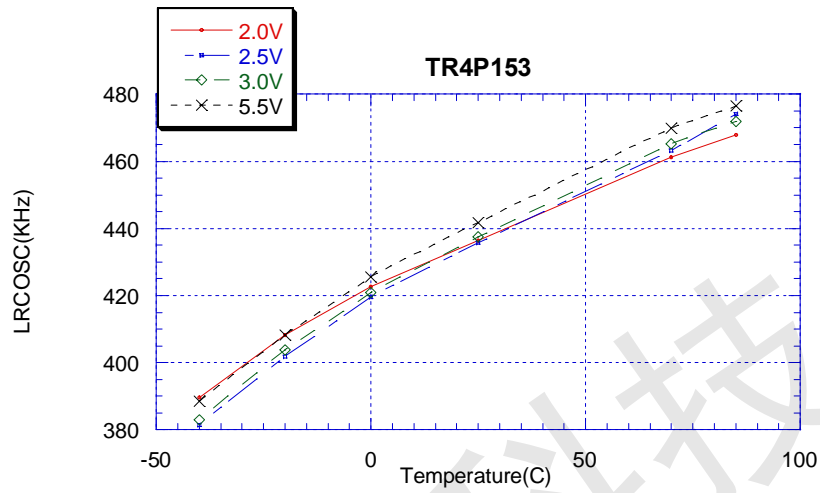
Note5: F_{MCK1} and F_{MCK2} are MCU operating clock.

AC Characteristics of OP (TA = 25°C, VDD = 2V~5.5V, unless otherwise noted)

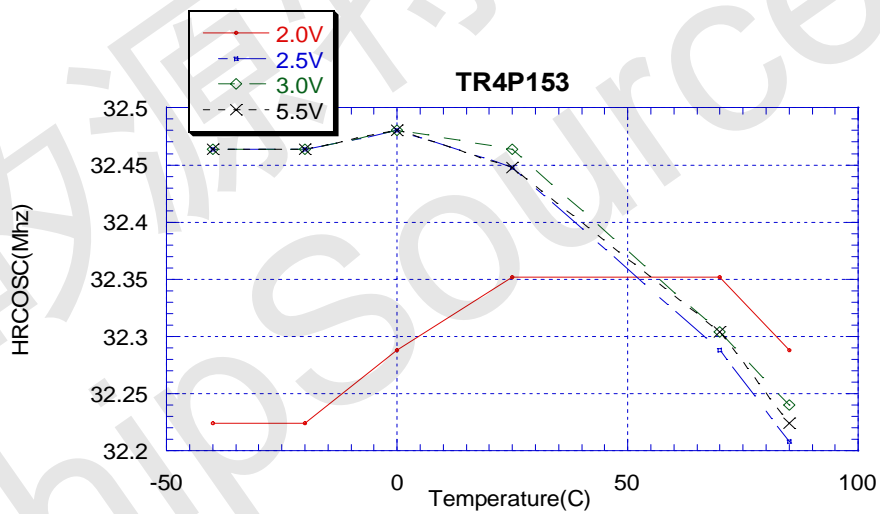
PARAMETER	SYMBOL	TEST CONDITIONS	LIMIT			UNIT
			Min	Typ	Max	
Quiescent current	I _{QUI}	VDD = 2V~5.5V	30	50	70	uA
Input voltage range	V _{IN}		0		VDD	V
Output voltage range	V _{OUT}		0.1		VDD-0.1	V
Offset voltage	V _{OS}		10		100	mV
Output sink current	I _{SINK}		15		30	uA
Output source current	I _{SOU}		150		300	uA
Output resistor load	R _L		100K			Ohm

AC Characteristics of Comparator (TA = 25°C, VDD = 2V~5.5V, unless otherwise noted)

PARAMETER	SYMBOL	TEST CONDITIONS	LIMIT			UNIT
			Min	Typ	Max	
Quiescent current	I _{QUI}	VDD = 2V~5.5V	1		2	uA
Input voltage range	V _{IN}		0		VDD	V
Offset voltage	V _{OS}		10		100	mV



The LRCOSC frequency VS. temperature, VDD=2.0V~5.5V



The HRCOSC frequency VS. temperature, VDD=2.0V~5.5V



5. FUNCTIONAL DESCRIPTION

This MCU inside TR4P151/153 series are high performance processor. The operation speed can be range from 0.5 MIPS to 8 MIPS depending on different applications.

5.1 Program ROM (OTP ROM)

TR4P153B/C series

TR4P153XX series support two kind of OTP ROM arrangement. They are TR4P153BT ,TR4P153CT, TR4P153CF and TR4P153DA-S6. The OTP ROM memory plan is shown below:

Address	TR4P153BT (1.6 K OTP ROM)	TR4P153CT (1.6 K OTP ROM)	TR4P153CF TR4P153DA-S6 (2 K OTP ROM)
000h ~ 0FFh	User area 1.5K (1536 X12)	User area 1.5K (1536 X12)	User area 1.5K (1536 X12)
100h ~ 1FFh			
200h ~ 2FFh			
.....			
500h ~ 5FFh	Reserved area	Reserved area	Reserved area
600h ~ 63Fh	Reserved area	Reserved area	Reserved area
640h ~ 66Fh	User Information block(48X12). For data store only, can't be used to store program.	User Information block(48X12). For data store only, can't be used to store program.	User area 0.5K (448X12)
670h ~ 671h	Reserved area	Simple ADC calibration data	
672h ~ 7FFh		Reserved area	

Note: 1. For TR4P153XX series, the content of OTP ROM address \$640h~\$66Fh can be read by program. Address \$600h~\$63Fh and \$672h~\$7FFh can't be read by program.

2. To read registers DMDL, DMDM and DMDH, only LD A,(n) instruction can be used. Other instructions are not allowed. (n= DMDL, DMDM or DMDH

3. If DMA2~DMA0 pointed address is located at invalid address 600h~61Fh or 700h~7FFh, DMA2.2, DMA2.1, DMA2.0 will be regarded as 0 by hardware automatically, DMA0 and DMA1 will not be affected.

4. The simple ADC is only applied on TR4P153CT.

TR4P153BT/CT support 1.6 K words user ROM which is located on \$000h ~ \$5FFh, \$640h ~ \$66Fh and \$670h~\$671h. The first user area \$000h ~ \$5FFh stores user program area. The second user area \$640h ~ \$66Fh that named user information block stores serial number, lot number or user optional codes...etc. The third user area \$670h~\$671h stores Simple ADC calibration data. In addition to the above points, there are still the reserved areas. They are located at \$600h ~ \$63Fh and \$672h ~ \$7FFh, they can't be read by software.

TR4P153CF/DA supports 2 K words OTP ROM which is located on \$000h ~ \$5FFh and \$640h ~ \$7FFh. These two areas store user program. Although \$640h~\$7FFh is user area, but data in \$672h~\$7FFh can't be read by software. The reserved area, \$600h ~ \$63Fh, can't be read by program also.

To read OTP ROM data, use DMA2~DMA0 registers as address pointer. The address range is located in \$000h ~ \$5FFh and \$640h~\$671h. After these registers (DMA0~2) are specified by software, the 12bits data of ROM can be moved to A register by three instructions, they are "LD A, (DMDL)", "LD A, (DMDM)" and "LD A, (DMDH)". The three instructions mentioned above are two cycle instruction, all others instructions are single cycle instruction.



TR4P151A series

TR4P151A series support two kind of OTP ROM arrangement. They are TR4P151AT and TR4P151AF. The OTP ROM memory plan is shown below:

Address	TR4P151AT (1.3 K OTP ROM)	TR4P151AF (1.5 K OTP ROM)
000h ~ 0FFh	User area 1.3K (1280 X 12)	User area 1.5K (1504 X 12)
100h ~ 1FFh		
200h ~ 2FFh		
300h ~ 3FFh		
400h ~ 4FFh		
500h ~ 50Fh	User Information block (16X12). For data store only, can't be used to store program.	
510h ~ 5CDh	Reserved area	
5CEh~5CFh		Serial number area (2 words)
5D0h ~ 5FFh	Reserved area	Reserved area

- Note:**
1. To read registers DMDL, DMDM and DMDH, only LD A,(n) instruction can be used. Other instructions are not allowed. (n= DMDL, DMDM or DMDH)
 2. For TR4P151AT, the content of OTP ROM address \$500h~\$50Fh can be read by program. Address \$510h~\$5FFh can't be read by program.
 3. If DMA2~DMA0 pointed address is located at invalid address \$5D0h~\$5FFh, DMA2.2, DMA2.1, DMA2.0 will be regarded as 0 by hardware automatically, DMA0 and DMA1 will not be affected.

Symbol	Addr	R/W	Reset	D3	D2	D1	D0	Description
DMA0	18H	R/W	xxxx	DMA0.3	DMA0.2	DMA0.1	DMA0.0	DMA0~DMA2(exclude DMA2.3) build a 11 bit addressing space for read ROM data. DMA0 is the lowest nibble address, DMA2 is the highest nibble address. DMA2.3: It's a user usable register only, it's useless for address setting.
DMA1	19H	R/W	xxxx	DMA1.3	DMA1.2	DMA1.1	DMA1.0	
DMA2	1AH	R/W	xxxx	DMA2.3	DMA2.2	DMA2.1	DMA2.0	
DMDL	1CH	R	xxxx	DMDL.3	DMDL.2	DMDL.1	DMDL.0	DMDL is used to read low nibble data from ROM that addressed by DMA0 ~ DMA2.
DMDM	1DH	R/W	xxxx	DMDM.3	DMDM.2	DMDM.1	DMDM.0	(1) DMDM is used to read middle nibble data from ROM that addressed by DMA0 ~ DMA2. (2) Write this register with data 05h will clear watch dog timer (WDT) (3) Write this register with data 0Ah will clear RTC counter.
DMDH	1EH	R	xxxx	DMDH.3	DMDH.2	DMDH.1	DMDH.0	DMDH is used to read high nibble data from ROM that addressed by DMA0 ~ DMA2.

For example, assume the data of address 356H is 587H.

LD A, #3

LD (DMA2), A

LD A, #5

LD (DMA1), A

LD A, #6

LD (DMA0), A ; ROM address = 356H

LD A, (DMDL) ; A register = 7H ; low nibble data of ROM address 356H

LD A, (DMDM) ; A register = 8H ; middle nibble data of ROM address 356H

LD A, (DMDH) ; A register = 5H ; high nibble data of ROM address 356H

.....



5.2 SRAM and I/O Memory Map

TR4P151/153 series are provided 256 nibbles SRAM. SRAM is separated into 8 pages (MAH0~7). Every page has 32 nibbles (with same address, \$20H~\$3FH). This addressing space of SRAM is different from ROM's address.

Direct Addressing (use MAH)		Real SRAM Address	SRAM MAP
MAH=XH (MAH no effect)	00H~1FH		Common I/O port and SFR(special function register) register
MAH=0H	20H~3FH	00H~1FH	USER SRAM (256x4)
MAH=1H	20H~3FH	20H~3FH	
MAH=6H	20H~3FH	C0H~DFH	
MAH=7H	20H~3FH	E0H~FFH	

The addressing space is separated into several pages. Software can select working pages by setting MAH register. Each page contains two blocks and each block contains 32 nibbles. The lower block (00H ~ 1FH) is used for IO registers and special registers, it's named "common I/O block". This block will not affected by MAH setting. In any MAH setting, software can access register of this block directly. The higher block (20H~3FH) is used for user SRAM access. MAH register determines current access page of SRAM. The 20H~3FH address(in instructions) determines 32 nibble address in the current page.

The working space as shown below:

High 32 nibbles address space (20 ~ 3F H), MAH pointed SRAM space
Low 32 nibbles address space (0 ~ 1F H), I/O and special register, "common I/O block", MAH has no effect on this block

MAH = 0 selects 1st 32 nibbles SRAM

MAH = 1 selects 2nd 32 nibbles SRAM

MAH = 2 selects 3rd 32 nibbles SRAM

...

etc.

MAH can be written by a special instruction "LDMAH" with direct data.

MAH can not be read by MCU. When interrupt happened, MAH data will be stored by hardware and restored by "RETI" command.

5.3 I/O Memory Map

The I/O memory map consists of common I/O, control registers and extended I/O space. Detailed operations are as follows.

5.4 Common I/O and control register

The "common IO block" contains 32 address. All registers in this block can be accessed directly by these instructions : LD/ADC/SBC/OR/AND/XOR/INC/DEC/RLC/RRC/CMP/ADR. SET, CLR (bit set/clear) can only operate on the address range from 00H to 0FH.

Read common I/O instruction: LD/ADC/SBC/CMP/OR/AND/XOR (Ex. LD A,(n))

Write data to common I/O instruction: LD (n),A

Read and write common I/O instruction : DEC/INC/ADR/RRC/RLC (Ex. DEC (n))

U: unchanged X: unknown value R/W: readable & writeable R: readable only W: writeable only

Symbol	Addr	R/W	Reset	D3	D2	D1	D0	Description
STATUS	00H	R/W	00xx	TM2IFG	TM1IFG	CF	ZF	ZF : Zero status register



								CF : Carry status register TM1IFG: Timer 1 interrupt flag 0: no Timer1 interrupt occurred. 1: Timer1 interrupt occurred, it can be cleared by software. TM2IFG: Timer 2 interrupt flag 0: no Timer 2 interrupt occurred. 1: Timer2 interrupt occurred, it can be cleared by software.
RTC	01H	R/W	0000	RTCFG	F38K	RTCS1	RTCS0	RTC will cause an interrupt (\$008h) when in NORMAL mode or GREEN mode. In HALT mode, RTC can wakeup MCU and program will go to wake up vector (\$004h). RTCS1, RTCS0: RTC interrupt period detailed description in Real Time Clock Interrupt section. F38K is valid only when IREN is enabled. F38K = 1, PA1 output 38k clock F38K = 0, PA1 PIN 38K output signal disabled. PA1 keeps low if (option) IRNOR0 disabled. PA1 keeps high when IRNOR0 enabled. RTCFG: RTC overflow flag 0: RTC overflow not occurred. 1: RTC overflow occurred, it can be cleared by software.
IOC_PA	02H	R/W	0000	X	IOCA2	IOCA1	IOCA0	Port PA0~PA2 input/output direction : 1: set port as output port individually 0: set port as input port individually PA3 is input only.
DATA_PA	03H	R/W	xxxx	DPA3 (Read only)	DPA2	DPA1	DPA0	Read data from PA0~PA3 PIN or write data to PA0~PA2 PIN (I/O direction is selected by IOC_PA register)
ADC	04H	R/W	0000	USER0	CASW	ADEN	ADST	Simple ADC control register
IOC_PB	05H	R/W	0000	IOCB3	IOCB2	IOCB1	IOCB0	Port PB0~PB3 input/output direction : 1: set port as output port individually 0: set port as input port individually
DATA_PB	06H	R/W	xxxx	DPB3	DPB2	DPB1	DPB0	Read data from PB0~PB3 port or write data to PB0~PB3 (I/O direction is defined by IOC_PB register)
USER1	07H	R/W	xxxx	USER1.3	USER1.2	USER1.1	USER1.0	General purpose user RAM
TMCTL	08H	R/W	0000	TM2EN	TM1EN	TM1SCK	TM1ALD	TM1ALD: Timer 1 auto load control 0 : Timer 1 auto load function turned off 1 : Timer 1 auto load function turned on TM1SCK:Timer1 clock source selection 0: internal clock (frequency selected by SCALER1 register) 1: external clock (from PA2 pin) IOCA2 must be set to 0. TM1EN: Timer 1 enable control bit 0 : Timer 1 disabled 1 : Timer 1 enabled TM2EN: Timer 2 enable control bit 0 : Timer 2 disabled 1 : Timer 2 enabled



SYS0	09H	R/W	0000	TM2MSK	TM1MSK	ENINT	PWMO	<p>Notice: The PWMO, ENINT, TM1MSK and TM2MSK will be cleared by HALT instruction</p> <p>PWMO: PWM signal output to PA2 pin 0 : PA2 pin is I/O pin 1 : PA2 pin is PWM output pin (The frequency of PWM is controlled by TM1OUT and TM1ALD if PWMO=1) ENINT: Global interrupt enable 0 : global interrupt disabled 1 : global interrupt enabled, (ENINT control the interrupt enable of Timer 1, Timer 2 and RTC) TM1MSK : Timer 1 interrupt mask 0 : Timer 1 interrupt masked (Timer1 interrupt disabled). 1 : Timer 1 interrupt unmasked (Timer1 interrupt enabled). TM2MSK : Timer 2 interrupt mask 0 : Timer 2 interrupt masked (Timer2 interrupt disabled). 1 : Timer 2 interrupt un-masked (Timer2 interrupt enabled).</p>																																				
TIM1	0AH	R/W	0000	TIM1.3 (TIM1.7)	TIM1.2 (TIM1.6)	TIM1.1 (TIM1.5)	TIM1.0 (TIM1.4)	<p>TIM1.7~TIM1.0: 8 bit TIMER 1 counter value, read or write must follow fixed sequence as shown below: (1) Write: write low nibble first, and then write high nibble. (2) Read: read low nibble first, and then read high nibble.</p>																																				
TIM2	0BH	R/W	0000	TIM2.3 (TIM2.7)	TIM2.2 (TIM2.6)	TIM2.1 (TIM2.5)	TIM2.0 (TIM2.4)	<p>TIM2.7~TIM2.0: 8 bit TIMER 2 counter value, read or write must follow fixed sequence as shown below: (1) Write: write low nibble first, and then write high nibble. (2) Read: read low nibble first, and then read high nibble.</p>																																				
IOC_PD	0CH	R/W	0000	IOCD3	IOCD2	IOCD1	IOCD0	<p>Port D input/output direction select 1: set port as output port individually 0: set port as input port individually</p>																																				
DATA_PD	0DH	R/W	xxxx	DPD3	DPD2	DPD1	DPD0	<p>Read port D data from PD0~PD3 port or write data to PD0~PD3 (I/O direction is defined by IOC_PD register)</p>																																				
SCALER1	0EH	R/W	0000	TM1OUT	T1DIV2	T1DIV1	T1DIV0	<p>T1DIV2~0: The pre-scaler of Timer 1. Timer 1 clock source definition table: (FMCK = MCU operating clock)</p> <table border="1"> <thead> <tr> <th>T1DIV2</th> <th>T1DIV1</th> <th>T1DIV0</th> <th>TM1CK</th> </tr> </thead> <tbody> <tr> <td>0</td> <td>0</td> <td>0</td> <td>FMCK/256</td> </tr> <tr> <td>0</td> <td>0</td> <td>1</td> <td>FMCK /128</td> </tr> <tr> <td>0</td> <td>1</td> <td>0</td> <td>FMCK /64</td> </tr> <tr> <td>0</td> <td>1</td> <td>1</td> <td>FMCK /32</td> </tr> <tr> <td>1</td> <td>0</td> <td>0</td> <td>FMCK /16</td> </tr> <tr> <td>1</td> <td>0</td> <td>1</td> <td>FMCK /8</td> </tr> <tr> <td>1</td> <td>1</td> <td>0</td> <td>FMCK /4</td> </tr> <tr> <td>1</td> <td>1</td> <td>1</td> <td>FMCK /2</td> </tr> </tbody> </table> <p>TM1OUT: Select PA2 as "Timer 1 toggle signal output" (PWMO must be 0 to enable this function). 0 : Disabled, PA2 port is I/O function 1 : Enable PA2 as Timer 1 toggle output (BZ).</p>	T1DIV2	T1DIV1	T1DIV0	TM1CK	0	0	0	FMCK/256	0	0	1	FMCK /128	0	1	0	FMCK /64	0	1	1	FMCK /32	1	0	0	FMCK /16	1	0	1	FMCK /8	1	1	0	FMCK /4	1	1	1	FMCK /2
T1DIV2	T1DIV1	T1DIV0	TM1CK																																									
0	0	0	FMCK/256																																									
0	0	1	FMCK /128																																									
0	1	0	FMCK /64																																									
0	1	1	FMCK /32																																									
1	0	0	FMCK /16																																									
1	0	1	FMCK /8																																									
1	1	0	FMCK /4																																									
1	1	1	FMCK /2																																									



USER2	0FH	R/W	xxxx	USER2.3	USER2.2	USER2.1	USER2.0	General purpose user RAM			
MDCTL	10H	W	1100	MD1	MD0	X	X	MCU operation mode selection table			
								MD1	MD0	MCU MODE	
								0	0	Into HALT mode (or use HALT instruction)	
								0	1	From GREEN mode enters NORMAL mode	
								1	0	From Normal mode enters GREEN mode	
1	1	reserved, do not set this value.									
Reserved	11H~17H							Reserved			
DMA0	18H	R/W	xxxx	DMA0.3	DMA0.2	DMA0.1	DMA0.0	DMA0~DMA2 (exclude DMA2.3) build a 11 bit addressing space for read ROM data. DMA0 is the lowest nibble address, DMA2 is the highest nibble address. DMA2.3: It's a user usable register only, it's useless for address setting.			
DMA1	19H	R/W	xxxx	DMA1.3	DMA1.2	DMA1.1	DMA1.0				
DMA2	1AH	R/W	xxxx	DMA2.3	DMA2.2	DMA2.1	DMA2.0				
RES_FLAG (TR4P151AT/ AF only)	1BH	R	0000	ERESFG	WDTFG	0	0	ERESFG: External reset flag 0: ERESFG is cleared by executing clear WDT (writing 05h to DMDM register) or after power up. 1: ERESFG is set by external reset occurred. WDTFG : WDT overflow flag 0: WDTFG is cleared by executing clear WDT (writing 05h to DMDM register) or after power up. 1: WDTFG is set by WDT overflow occurred.			
DMDL	1CH	R	xxxx	DMDL.3	DMDL.2	DMDL.1	DMDL.0	DMDL is used to read low nibble data from ROM that addressed by DMA0 ~ DMA2.			
DMDM	1DH	R/W	xxxx	DMDM.3	DMDM.2	DMDM.1	DMDM.0	(1) DMDM is used to read middle nibble data from ROM that addressed by DMA0 ~ DMA2. (2) Write this register with data 05h will clear watch dog timer (WDT) (3) Write this register with data 0Ah will clear RTC counter.			
DMDH	1EH	R	xxxx	DMDH.3	DMDH.2	DMDH.1	DMDH.0	DMDH is used to read high nibble data from ROM that addressed by DMA0 ~ DMA2.			
SCALER2	1FH	R/W	0000	TM2ALD	T2DIV2	T2DIV1	T2DIV0	T2DIV2~0: The pre-scaler of Timer 2 (F _{MCK} = MCU operating clock)			
								T2DIV2	T2DIV1	T2DIV0	TM2CK
								0	0	0	F _{MCK} /256
								0	0	1	F _{MCK} /128
								0	1	0	F _{MCK} /64
								0	1	1	F _{MCK} /32
								1	0	0	F _{MCK} /16
								1	0	1	F _{MCK} /8
								1	1	0	F _{MCK} /4
								1	1	1	F _{MCK} /2
				TM2ALD: Timer 2 auto load control 0 : Timer 2 auto load function turned off 1 : Timer 2 auto load function turned on							
USER SRAM 256 nibbles	20H~3FH	R/W	XXXX	SRAM.3	SRAM.2	SRAM.1	SRAM.0	User SRAM, MAH = 0~7H, use MAH to change SRAM page.			



5.5 Extended I/O

TR4P151/153 are provided one special instruction “LD EXIO(n), A”, where n = 00H ~ 0FH” to obtain the 16 extra I/O registers. These registers are used for the I/O port pull up or down resistors control and can be accessed by two “LD” data transfer instruction only.

For example, to enable the pull up resistor of port A, the program should be as shown below:

```
LD A, #FH
LD EXIO(00H), A
```

U: unchanged X: unknown value R/W: readable & writeable R: readable only W: writeable only

Symbol	Addr	R/W	Reset	D3	D2	D1	D0	Description
PAPU	00H	W	0000	PAPU.3	PAPU.2	PAPU.1	PAPU.0	PA2~PA0 pull up 100K ohm resistor PA3 pull up 60K ohm resistor 0: Port A pull up resistor disabled 1: Port A pull up resistor enabled
PAPL	01H	W	0000	PAPL.3	PAPL.2	PAPL.1	PAPL.0	Port A pull down 100K ohm resistor 0: Port A pull down resistor disabled 1: Port A pull down resistor enabled
PBPU	02H	W	0000	PBPU.3	PBPU.2	PBPU.1	PBPU.0	Port B pull up 100K ohm resistor 0: Port B pull up resistor disabled 1: Port B pull up resistor enabled
PBPL	03H	W	0000	PBPL.3	PBPL.2	PBPL.1	PBPL.0	Port B pull down 100K ohm resistor 0: Port B pull down resistor disabled 1: Port B pull down resistor enabled
PDPU	04H	W	0000	PDPU.3	PDPU.2	PDPU.1	PDPU.0	Port D pull up 100K ohm resistor 0: Port D pull up resistor disabled 1: Port D pull up resistor enabled
PDPL	05H	W	0000	PDPL.3	PDPL.2	PDPL.1	PDPL.0	Port D pull down 100K ohm resistor 0: Port D pull down resistor disabled 1: Port D pull down resistor enabled
PAWK	06H	W	0000	PAWK.3	PAWK.2	PAWK.1	PAWK.0	Port A wake up enable control 0: Port A wake up disabled 1: Port A wake up enabled
PBWK	07H	W	0000	PBWK.3	PBWK.2	PBWK.1	PBWK.0	Port B wake up enable control 0: Port B wake up disabled 1: Port B wake up enabled
PDWK	08H	W	0000	PDWK.3	PDWK.2	PDWK.1	PDWK.0	Port D wake up enable control 0: Port D wake up disabled 1: Port D wake up enabled
Reserved	09H~0FH							Reserved

5.6 Interrupt Processing

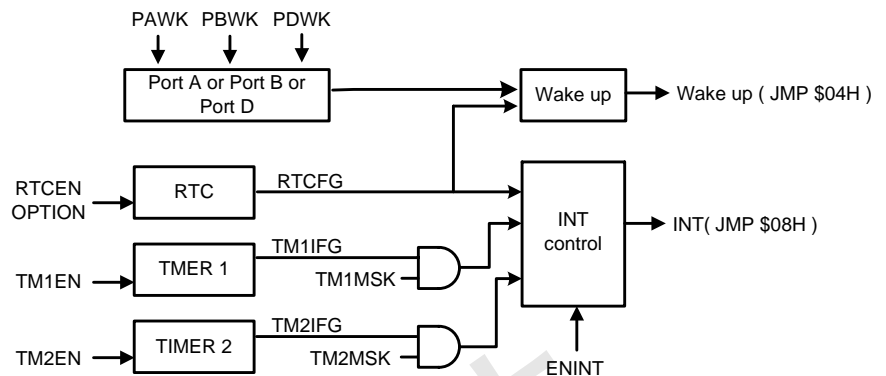
Interrupt vector address definition

Event	Vector Address
RESET	00H
System reserved	02H
WAKE UP	04H
System reserved	06H
Timer1(PWM)/Timer2/RTC	08H

When any interrupt request flag (RTCFG, TM1IFG, TM2IFG) is set to “1”. Interrupt would happen or not. It depends on the interrupt mask (TM1MSK, TM2MSK) and global interrupt enable (ENINT) setting. If interrupt mask set to “1” and global interrupt enable set to “1”, Interrupt will be accepted on the next clock after these interrupt request flag set to “1”. The following four procedures are done in one clock cycle by hardware as shown below:



1. Program Counter, MAH, PCDH and C/Z will be stored in special hardware registers.
2. Program counter will be changed to the corresponding interrupt vector address.
3. The global interrupt enable register ENINT is stored in special hardware register by hardware automatically.
4. ENINT is cleared to "0", so interrupt control circuit will be disabled by hardware to avoid unwanted interrupt in interrupt handling routine.



When interrupt service routine was finished, an RETI instruction will perform the procedures by hardware as shown below:

1. Restore the Program Counter, MAH, PCDH and C/Z, which were stored when interrupt happened.
2. The global interrupt enable register ENINT is restore from special register which is stored before interrupt by hardware automatically. This will allow subsequent Interrupt to happen.

The corresponding interrupt request flag must be cleared to "0" by software, before executing RETI instruction. Otherwise, the interrupt procedure will be executed again.

In normal case, if the interrupt accepted by this chip and program jumps into interrupt service routing, the register ENINT must be "1". It will not accept the interrupt when register ENINT is equal to "0". But when clearing ENINT instruction(disable interrupt) is executed, and interrupt happened at next cycle, then the interrupt may still be accepted. This will sometimes causes fault. To avoid this, one "NOP" instruction right after "ENINT clear" is needed.

Notice: Be very careful on the next instruction right after interrupt disabled (ENINT = 0) or timer interrupt mask(TM1MSK=0 or TM2MSK=0). If this instruction contains global variable that is used in both main program and interrupt routine, then it may not work properly (as described above). To ensure the correct operation, one "NOP" instruction right after clearing register ENINT or TM1MSK, TM2MSK (set to zero) is needed.

Example: (1) before modified

```
.....  
CLR #1, (SYS0) ; clear ENINT to zero ( or TM1MSK=0 or TM2MSK=0 )  
SET #1,(XXX) ; XXX is global variable, interrupt may be accepted at this line and jump to  
; interrupt service routing after this instruction (SET #1(xx) ) executed  
; successfully. This will be incorrect.
```

(2) after modified

```
.....  
CLR #1, (SYS0) ; clear ENINT to zero ( or TM1MSK=0 or TM2MSK=0 )  
NOP ; inserted one "NOP" instruction, and ensure next instruction  
; SET #1,(XX) is executed after interrupt disabled ( ENINT=0 )  
SET #1,(XXX) ; XXX is global variable.
```



5.7 Operation mode

TR4P151/153 series are provided 3 different modes for low power consumption management by switching around NORMAL mode, GREEN mode and HALT mode.

Common I/O control register

Symbol	Addr	R/W	Reset	D3	D2	D1	D0	Description
MDCTL	10H	W	1100	MD1	MD0	X	X	MCU operation mode control register.

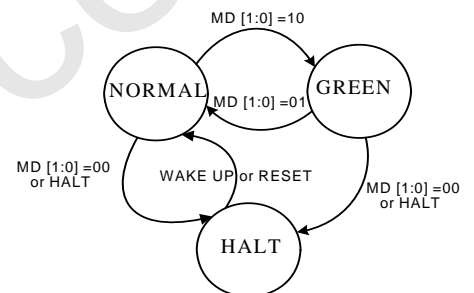
Notice: After reset MD1, MD0 = 11, it's meaningless. Don't write MD1,MD0=11 to this register.

There are three operation modes which are defined at the following table. It can be changed from NORMAL mode to HALT mode or GREEN mode for power saving by setting MD [1:0] of register MDCTL.

MD1	MD0	MCU MODE	HRCOSC	LRCOSC	MCU clock (F _{MCK})
0	0	Enters HALT mode, or use HALT instruction	stop	enabled	stop
0	1	From GREEN mode enters NORMAL mode Notice: The "NOP" instruction must be inserted after this command. See Notice 1 below	enabled	enabled	HRCOSC----- MCU run 8 MIPS / 4 MIPS / 2 MIPS / 1 MIPS by option
1	0	From NORMAL mode enters GREEN mode	stop	enabled	MCU run 114.69KIPS / 57.34KIPS / 28.67KIPS / 14.33KIPS by option
1	1	Reserved	-	-	Don't write this value to MDCTL register.

Notice 1 : If MCU running in GREEN mode, setting MD1,MD0 = 0 1 will change MCU from GREEN mode to NORMAL. There are two things must be regarded:

- (a) An additional "NOP" instruction must be inserted right after setting MDCTL register.
- (b) Due to ENINT register will be cleared by GREEN mode to NORMAL MODE. So if ENINT=1 in GREEN mode , an additional 1 instruction "SET #1,(SYS0)" must be inserted after the NOP mentioned above.



..... (Running in GREEN MODE)

(GREEN MODE) LD A, #04H

(GREEN MODE) LD (MDCTL),A ; (a) From GREEN mode enters to NORMAL mode
(b) set ENINT=0 by hardware automatically

(NORMAL MODE) NOP ; inserted an NOP instruction

(NORMAL MODE) SET #1,(SYS0) ; re-assign ENINT as 1, if ENINT=1 in GREEN mode.

The state diagram of these three MCU operation mode is as shown below:

1.NORMAL Mode: In NORMAL mode, both high speed RC oscillator (HRCOSC) and low speed RC oscillator (LRCOSC) are running. MCU clock source is come from HRCOSC oscillator. The default operation mode of TR4P153XX series are NORMAL mode after reset. User can change operation mode to HALT mode from NORMAL mode by setting MD [1:0] =00 or execute HALT instruction. If in NORMAL mode, MCU can go to GREEN mode by setting MD[1:0]=10.

2.HALT Mode: In HALT mode, main oscillator HRCOSC is stopped. So the MCU operation is also stopped. But LRCOSC oscillator may still running (if enabled). User can't change the operation mode



when in HALT mode. Chip will go back to NORMAL mode when RTC interrupt, I/O wake up or reset occurred. For detail HALT mode description, please refer to section 5.8.

3.GREEN Mode: In GREEN mode, only LRCOSC oscillator keep running, HRCOSC oscillator is stop. MCU uses LRCOSC as system clock source. It's very low speed for low power consumption application. MCU may get to NORMAL mode by setting MD[1:0]=01 if operation speed is not enough. It's also allowed to enter HALT mode by setting MD[1:0]=00 or execute HALT instruction.

5.9 Halt mode & wake up

The MCU operation may be switched to HALT mode (MCU operation clock and HRCOSC stop) when HALT instruction executed. It provides a power saving mode for those applications requiring a very low stand-by current. The PA0~PA3, PB0~PB3 and PD0~PD3 are provided with wake up function on rising edge or falling edge. When wake up condition occurred, program will start from \$004H address after stable clock delay (CKstable2). "system reset" signal will release HALT state and execute reset procedure. SRAM will keep their previous data without change in HALT mode.

Notice: The register PWMO, ENINT, TMIMSK and TM2MSK will be cleared after wake up by hardware, so re-assign those registers are necessary if interrupt is needed after wakeup.

5.9 Watch Dog Timer Reset (WDT)

The watch dog timer (WDT) is used to reset chip when unexpected execution sequence caused, avoiding dead lock of MCU program. This timer can be enabled or disabled by option only. WDT will not have any action when WDT option disabled. Software shall run an "clear watch dog timer" (write data 05h to register \$1D) instruction before WDT time out if WDT option is enabled. Hardware will generate a reset signal to reset whole system when WDT overflow. It's provided with four kinds of time-out period (0.125sec~1sec) by WDTS1 and WDTS0 option. The clock source of WDT comes from internal LRCOSC oscillator or external 32k X'tal oscillator. In order to work on HALT mode, these two methods are low power consumption design.

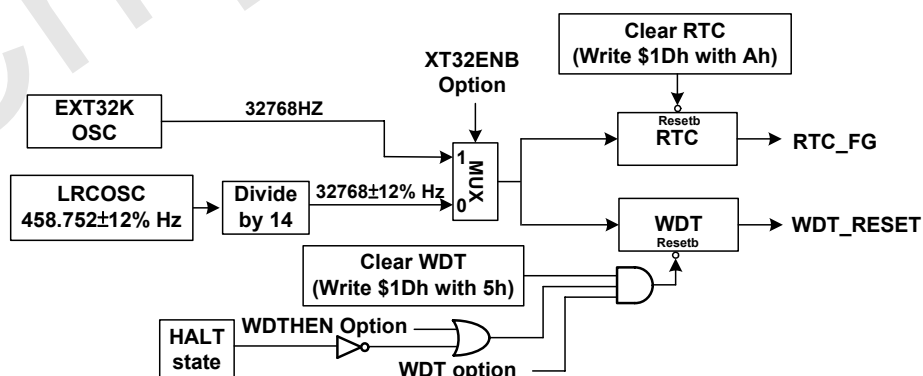
If WDT function is enabled by WDT option, the WDT can works in both HALT mode and NORMAL mode, or only works in NORMAL (WDT disabled in HALT mode) by WDTHEN option.

Using external 32K X'tal oscillator for WDT clock source (It isn't provided on TR4P153BT/DAI)

If precision clock time is need, the clock source of WDT and RTC will be changed from LRCOSC to 32K X'tal (EXT32K) Oscillator by XT32ENB option enabled, see picture below:

WDT period definition by option

WDTS1	WDTS0	WDT Period
0	0	0.125±12% Sec
0	1	0.25±12% Sec
1	0	0.5±12% Sec
1	1	1.0±12% Sec





WDT will be reset when wake up from HALT mode, power on reset, or cleared by software. Reset watch dog timer sequence is as shown below:

```
LD    A, #05H
LD    (1DH), A ; clear watch dog timer
```

Notice: For good system reliability, It's strongly recommended that, do not use more than one "reset watch dog" instruction in whole program.

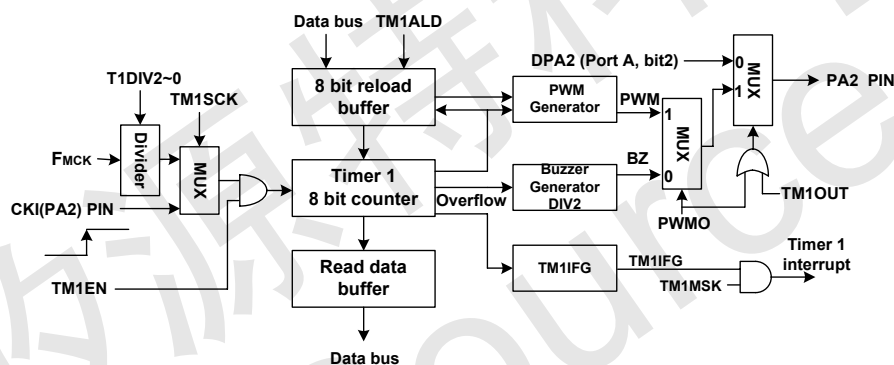
5.10 Programable 8 bits Timer/Counter--- Timer1

5.10.1 Timer1

The Timer 1 is an 8 bit up timer which can be configured as programmable frequency generator (PFD), PWM generator or event counter. The interrupt interval is generated by selected clock source and specific different values of Timer 1. The content of Timer 1 is readable and writable by user program.

PA2 pin function definition table

PWMO register	TM1OUT register	PA2 output pin
0	0	DPA2 register
0	1	PFD generator
1	X	PWM generator



Symbol	Addr	R/W	Reset	D3	D2	D1	D0	Description
STATUS	00H	R/W	00xx	TM2IFG	TM1IFG	CF	ZF	TM1IFG: Timer 1 interrupt flag 0: no Timer 1 interrupt occurred. 1: Timer 1 interrupt occurred, it can be cleared by software.
TMCTL	08H	R/W	0000	TM2EN	TM1EN	TM1SCK	TM1ALD	TM1ALD: Timer 1 auto load control 0: Timer 1 auto load function turned off 1: Timer 1 auto load function turned on TM1SCK: Timer1 clock source selection 0: internal clock (frequency selected by SCALER1 register) 1: external clock (from PA2 pin) IOCA2 must be set to 0. TM1EN: Timer 1 enable control bit 0: Timer 1 disabled 1: Timer 1 enabled



SYS0	09H	R/W	0000	TM2MSK	TM1MSK	ENINT	PWMO	<p>Notice: The PWMO, ENINT, TM1MSK and TM2MSK will be cleared by HALT instruction</p> <p>PWMO: PWM signal output to PA2 pin 0 : PA2 pin is I/O pin 1 : PA2 pin is PWM output pin (The frequency of PWM is controlled by TM1OUT and TM1ALD if PWMO=1) ENINT: Global interrupt enable 0 : global interrupt disabled 1 : global interrupt enabled, (ENINT control the interrupt enable of Timer 1, Timer 2 and RTC) TM1MSK : Timer 1 interrupt mask 0 : Timer 1 interrupt masked (Timer1 interrupt disabled). 1 : Timer 1 interrupt unmasked (Timer1 interrupt enabled).</p>
TIM1	0AH	R/W	0000	TIM1.3 (TIM1.7)	TIM1.2 (TIM1.6)	TIM1.1 (TIM1.5)	TIM1.0 (TIM1.4)	<p>TIM1.7~TIM1.0: 8 bit TIMER 1 counter value, read or write must follow fixed sequence as shown below: (1) Write: write low nibble first, and then write high nibble. (2) Read: read low nibble first, and then read high nibble.</p>
SCALER1	0EH	R/W	0000	TM1OUT	T1DIV2	T1DIV1	T1DIV0	<p>T1DIV2~0: The pre-scaler of Timer 1. TM1OUT: Select PA2 as "Timer 1 toggle signal output" (PWMO must be 0 to enable this function). 0 : Disabled, PA2 port is I/O function 1 : Enable PA2 as Timer 1 toggle output (BZ).</p>

The clock source of Timer 1 can come from external PIN CKI(PA2) or internal MCU's clock by option. The event counter would be constructed by selecting external clock CKI as clock source of Timer 1. The counter will react to rising edge of external clock signals at the CKI(PA2) pin.

Notice: The frequency of CKI(PA2) must be lower than $F_{MCK} / 4$, over $F_{MCK} / 4$ will cause loss of interrupt.

If internal clock source used, there are 8 kind of clock rate selectable by register T1DIV2~T1DIV0.

Timer 1 clock source table (F_{MCK} = MCU operating clock)

T1DIV2	T1DIV1	T1DIV0	Timer 1 clock in NORMAL mode (if $F_{MCK} = 8MIPS$)	Timer 1 clock in GREEN mode (if $F_{MCK} = 114.69KIPS$)
0	0	0	$F_{MCK} \div 256 = 31.25KHz$	$F_{MCK} \div 256 = 0.448KHz$
0	0	1	$F_{MCK} \div 128 = 62.5KHz$	$F_{MCK} \div 128 = 0.896KHz$
0	1	0	$F_{MCK} \div 64 = 125KHz$	$F_{MCK} \div 64 = 1.792KHz$
0	1	1	$F_{MCK} \div 32 = 250KHz$	$F_{MCK} \div 32 = 3.584KHz$
1	0	0	$F_{MCK} \div 16 = 500KHz$	$F_{MCK} \div 16 = 7.168KHz$
1	0	1	$F_{MCK} \div 8 = 1MHz$	$F_{MCK} \div 8 = 14.336KHz$
1	1	0	$F_{MCK} \div 4 = 2MHz$	$F_{MCK} \div 4 = 28.672KHz$
1	1	1	$F_{MCK} \div 2 = 4MHz$	$F_{MCK} \div 2 = 57.345KHz$

The Timer 1 interrupt interval time and the content value equation is described as the following:

The content value of Timer 1 = **256 - (interrupt interval time ÷ Timer 1 clock time period)**

Example: If someone wants to get 360us interrupt interval time, and set T1DIV2~T1DIV0=011. Then, Timer 1 clock time period = $1/250k=4us$. So **the content value of Timer 1 = 256 - (360us/4us) = 166 = A6h**

The 8 bits content of Timer 1 can be assigned by register TIM1.7~TIM1.0. To write this 8 bit value, write low nibble data first, then write high nibble data. To read TIM1 data, read low nibble first then read high nibble.

Notice 1: The TIM1 registers must be read or written twice (low nibble first and high nibble later) in sequence. Only one nibble read or write is prohibited.



Notice 2: The TIM1 register can be assigned data either in interrupt routing or in main program. If in main program, register ENINT must be disabled before write or read data to TIM1. After write or read data to/from TM1 high nibble, ENINT can be enabled if needed.

Example : in main program

```

.....
CLR #1, (SYS0) ; ENINT=0, ENINT disabled
NOP           ; added NOP instruction
LD  A,#DH    ; setting TIM1 low nibble first
LD  (TIM1),A
LD  A,#FH    ; setting TIM1 high nibble later
LD  (TIM1),A
SET #1,(SYS0) ; ENINT=1, ENINT enabled
.....
    
```

The auto load function is enabled by setting TM1ALD to 1. This 8 bits data will be reloaded into 8 bits up counter while Timer 1 overflow occurred. The interrupt mask control register (TM1MSK) of Timer 1 is used to inhibit interrupt request for MCU. TM1MSK value will not affect normal Timer 1 operation. Even when TM1MSK is masked, TM1IFG will still be set to 1 when overflow, and Timer 1 still keep running. The global interrupt control register (ENINT) and TM1MSK should be set to 1 before TM1EN set to 1. After setting of these control registers, Timer 1 will count from low to high. After counting from FFH to 00H, Timer 1 will issue an interrupt request (register TM1IFG=1).

5.10.2 PWM Generator (use Timer 1)

Timer 1 could be configured as PWM Generator by setting PWMO to 1. In this mode, there are four kinds of operation controlled by register TM1ALD and TM1OUT (TM1ALD and TM1OUT as the frequency control of PWM). The PWM interrupt request will be issued at every rising edge of PA2(output) signal.

PA2 pin function definition table

PWMO register	TM1OUT register	PA2 output pin
0	0	DPA2 register
0	1	PFD generator
1	X	PWM generator

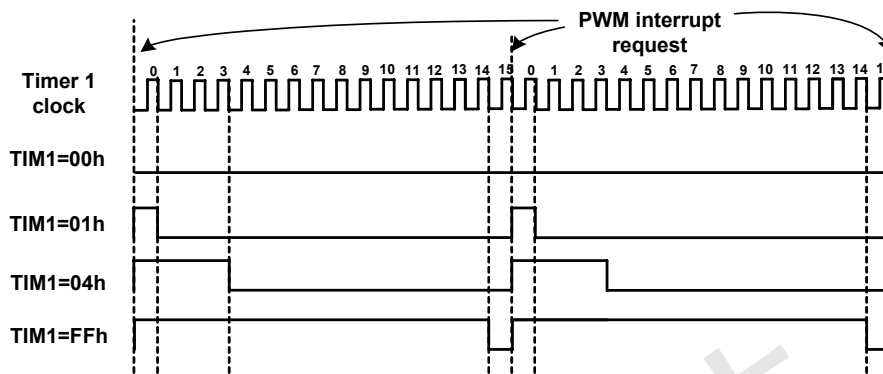
The clock source of PWM generator comes from MCU clock (F_{MCCK}) that depends on current MCU operation and oscillator mode. So MCU clock (F_{MCCK}) may be HRCOSC (8 MIPS, 4 MIPS, 2 MIPS, 1 MIPS) or LRCOSC (114.69KIPS, 57.34KIPS, 28.67KIPS, 14.33KIPS).

If HRCOSC used as PWM clock source, in NORMAL mode, the max. and min. PWM frequency is as follows:

TM1ALD	TM1OUT	Step	Timer 1 value (TIM1)	Max. PWM(PA2) frequency Set F _{MCCK} = 8 MIPS T1DIV2~0=111	Min. PWM(PA2) frequency Set F _{MCCK} = 1 MIPS T1DIV2~0=000
0	0	256	00h~FFh	(F _{MCCK} ÷ 2) ÷ 256 = 15.6K	(F _{MCCK} ÷ 256) ÷ 256 = 15.25Hz
0	1	64	00h~3Fh	(F _{MCCK} ÷ 2) ÷ 64 = 62.5K	(F _{MCCK} ÷ 256) ÷ 64 = 61Hz
1	0	32	00h~1Fh	(F _{MCCK} ÷ 2) ÷ 32 = 125K	(F _{MCCK} ÷ 256) ÷ 32 = 122Hz
1	1	16	00h~0Fh	(F _{MCCK} ÷ 2) ÷ 16 = 250K	(F _{MCCK} ÷ 256) ÷ 16 = 244Hz



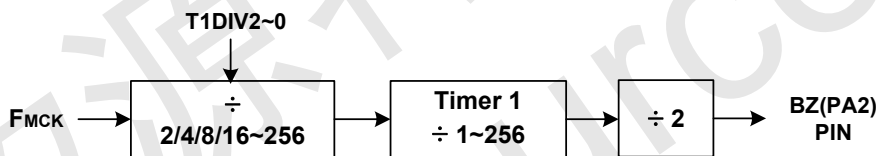
Example: PWM(PA2) output waveform (TM1ALD=1, TM1OUT=1)



5.10.3 Programmable Frequency Divider (PFD)---- (use Timer 1)

Timer 1 can be configured as programmable frequency divider (PFD) by setting TM1OUT to 1 and PWMO to 0, can output single tone signal to BZ(PA2) pin. No interrupt will occur in this mode. If F_{MCK} is 8 MIPS, the frequency of PDF ranges from 61Hz to 2MHz in NORMAL mode, duty cycle 50%, square wave output. It's suitable for driving buzzer or other applications. Timer 1 can be regarded as a programmable frequency divider. Its frequency is selected by register T1DIV2~T1DIV0 and combining the operation content value of Timer 1.

The clock source of PFD generator comes from MCU clock (F_{MCK}) that depends on current MCU operation and oscillator mode. So MCU clock (F_{MCK}) may be HRCOSC (8 MIPS, 4 MIPS, 2 MIPS, 1 MIPS), or LRCOSC (114.69KIPS, 57.34KIPS, 28.67KIPS, 14.33KIPS).



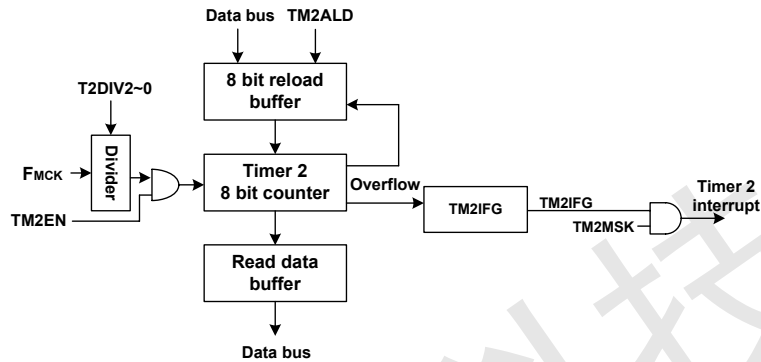
If MCU run 8MIPS, in NORMAL mode, the BZ(PA2) clock output is as shown below:

T1DIV2	T1DIV1	T1DIV0	BZ(PA2) clock output
0	0	0	$(F_{MCK} \div 256) \div (1 \sim 256) \div 2 = 0.061\text{KHz} \sim 15.625\text{KHz}$
0	0	1	$(F_{MCK} \div 128) \div (1 \sim 256) \div 2 = 0.122\text{KHz} \sim 31.25\text{KHz}$
0	1	0	$(F_{MCK} \div 64) \div (1 \sim 256) \div 2 = 0.244\text{KHz} \sim 62.5\text{KHz}$
0	1	1	$(F_{MCK} \div 32) \div (1 \sim 256) \div 2 = 0.488\text{KHz} \sim 125\text{KHz}$
1	0	0	$(F_{MCK} \div 16) \div (1 \sim 256) \div 2 = 0.976\text{KHz} \sim 250\text{KHz}$
1	0	1	$(F_{MCK} \div 8) \div (1 \sim 256) \div 2 = 1.952\text{KHz} \sim 500\text{KHz}$
1	1	0	$(F_{MCK} \div 4) \div (1 \sim 256) \div 2 = 3.906\text{KHz} \sim 1000\text{KHz}$
1	1	1	$(F_{MCK} \div 2) \div (1 \sim 256) \div 2 = 7.812\text{KHz} \sim 2000\text{KHz}$



5.11 Programable 8 bits Timer2

The Timer 2 is an 8 bit up timer. The interrupt interval is determined by selected clock source and written data of Timer 2. The content of Timer 2 can be read or write by software.



Symbol	Addr	R/W	Reset	D3	D2	D1	D0	Description
STATUS	00H	R/W	00xx	TM2IFG	TM1IFG	CF	ZF	TM2IFG: Timer 2 interrupt flag 0: no Timer 2 interrupt occurred. 1: Timer2 interrupt occurred, it can be cleared by software.
SYS0	09H	R/W	0000	TM2MSK	TM1MSK	ENINT	PWMO	Notice: The PWMO, ENINT, TM1MSK and TM2MSK will be cleared by HALT instruction ENINT: Global interrupt enable 0: global interrupt disabled 1: global interrupt enabled, (ENINT control the interrupt enable of Timer 1, Timer 2 and RTC) TM2MSK: Timer 2 interrupt mask 0: Timer 2 interrupt masked (Timer2 interrupt disabled). 1: Timer 2 interrupt un-masked (Timer2 interrupt enabled).
TIM2	0BH	R/W	0000	TIM2.3 (TIM2.7)	TIM2.2 (TIM2.6)	TIM2.1 (TIM2.5)	TIM2.0 (TIM2.4)	TIM2.7~TIM2.0: 8 bit TIMER 2 counter value, read or write must follow fixed sequence as shown below: (1) Write: write low nibble first , and then write high nibble. (2) Read: read low nibble first , and then read high nibble.
SCALER2	1FH	R/W	0000	TM2ALD	T2DIV2	T2DIV1	T2DIV0	T2DIV2~0: The pre-scaler of Timer 2 TM2ALD: Timer 2 auto load control 0: Timer 2 auto load function turned off 1: Timer 2 auto load function turned on

The clock source of Timer 2 is internal clock. There are 8 kinds of clock rate setting by register T1DIV2~T1DIV0.

TM2CK= Timer 2 clock source (F_{mck} = MCU operating clock)



T2DIV2	T2DIV1	T2DIV0	TM2CK
0	0	0	F _{MCK} /256
0	0	1	F _{MCK} /128
0	1	0	F _{MCK} /64
0	1	1	F _{MCK} /32
1	0	0	F _{MCK} /16
1	0	1	F _{MCK} /8
1	1	0	F _{MCK} /4
1	1	1	F _{MCK} /2

The 8 bits content of Timer 2 can be assigned by register TIM2.7~TIM2.0. To write this 8 bit value, write low nibble first and then high nibble. To read TIM2.7~TIM2.0, read low nibble first then read high nibble. When TM2ALD is set to 1, this 8 bits data will be reloaded into 8 bits up counter when overflow occurs.

The interrupt mask control register (TM2MSK) of Timer 2 is used to inhibit interrupt request for MCU. TM2MSK value will not affect normal Timer 2 operation. Even when TM2MSK is masked, TM1IFG will still be set to 1 when timer overflow occurred, and Timer 2 still keep running. The global interrupt control register

(ENINT) should be set to 1 before Timer 2 start. After setting of these control registers, software can enable Timer 2 counter with register TM2EN set to 1. Then Timer 2 will issue an interrupt request (register TM2IFG=1) when the Timer 2 counts from FFH to 00H.

Notice 1: The TIM2 registers must be read or written twice (low nibble first and high nibble later) in sequence. Only one nibble read or write is prohibited.

Notice 2: The TIM2 register can be assigned data either in interrupt routing or in main program. If in main program, register ENINT must be disabled before write or read data to TIM2. After write or read data to/from TM2 high nibble, ENINT can be enabled if needed.

Example : in main program

```

.....
CLR #1, (SYS0) ; ENINT=0 ENINT disabled
NOP           ; added NOP instruction
LD  A,#DH    ; setting TIM2 low nibble first
LD  (TIM2),A
LD  A,#FH    ; setting TIM2 high nibble later
LD  (TIM2),A
SET #1,(SYS0) ; ENINT=1 ENINT enabled
    
```

5.12 Real time clock interrupt (RTC)

Symbol	Addr	R/W	Reset	D3	D2	D1	D0	Description
RTC	01H	R/W	0000	RTCFG	F38K	RTCS1	RTCS0	RTCS1, RTCS0: RTC interrupt period selection table as follows. RTCFG: RTC overflow flag 0: no RTC time out occurred. 1: RTC time out occurred, it can be cleared by software.
DMDM	1DH	R/W	xxxx	DMDM.3	DMDM.2	DMDM.1	DMDM.0	Writing this register with data 0Ah will clear RTC counter value.

RTC function is enabled by RTCEN option. If RTCEN option is enabled, It will keep running at NORMAL and HALT mode. There are two different interrupt jump address supported after RTC overflow occurred.

If MCU operates in NORMAL/GREEN mode, it will jump to address \$008 after RTC overflow occurred. If MCU is in HALT mode, RTC overflow will wakeup chip and jump to address \$004. The RTCFG flag is set every 0.125sec~1sec (or 15.625ms ~ 125ms, by setting RTCS1 and RTCS0 register and SPUP option) as shown below:

RTCS1,RTCS0: RTC interrupt period selection

RTCS1	RTCS0	RTC Period	
		SPUP option enabled	SPUP option disabled
0	0	0.125±12% Sec	15.625±12% ms
0	1	0.25±12% Sec	31.25±12% ms
1	0	0.5 ±12% Sec	62.5 ±12% ms
1	1	1.0 ±12% Sec	125 ±12% ms

The RTC period can be pre-divided by 8 if SPUP option disabled, and RTCFG flag will be cleared by software. This RTC timer can be used in applications that required to wakeup periodically in HALT mode.



The RTC clock source is come from LRCOSC oscillator and the frequency is 458.752KHZ±12%. Besides, RTC counter value also support clear function by writing "0Ah" data to register DMDM (\$1DH).

Using external 32K X'tal oscillator for RTC clock source (It isn't provided on TR4P153BT/DAI)

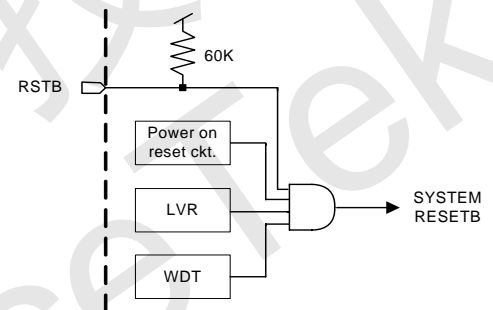
The clock source of RTC can come from LRCOSC or EXT32K oscillator. If precision clock is necessary, the external 32K oscillator should be enabled by XT32ENB option. Refer to RTC&WDT picture on section 5.9 for more about external 32K oscillator structure.

If XT32ENB option enabled, the interrupt period configured by RTCS1, RTCS0 and SPUP option listed below:

RTCS1	RTCS0	RTC Period	
		SPUP option disabled	SPUP option enabled
0	0	0.125 Sec	15.625 ms
0	1	0.25 Sec	31.25 ms
1	0	0.5 Sec	62.5 ms
1	1	1.0 Sec	125 ms

5.13 System reset

The actual system reset of this chip combines with four signals, which are power on reset, low voltage reset (LVR), external RSTB pin and WDT overflow reset. A dedicated RSTB pin(shared with PA3) can be used to reset TR4P153XX externally. This pin has internal 60K ohm pull up resistor. MCU will go to NORMAL mode when RSTB occurred in HALT mode.



Reset flag (TR4P151AT/AF only)

The TR4P151AT/AF series are provided with two reset flags ERESFG and WDTFG. ERESFG is an external reset flag for indicating external reset occurred. WDTFG is an WDT overflow flag for indicating WDT overflow occurred. They can be cleared by executing clear WDT instruction. After system reset, the chip will jump to address 000h to restart program. The table below is easy to know what kind of reset occurred from ERESFG and WDTFG registers.

ERESFG	WDTFG	Reset status
0	0	After power up, power on reset or LVR reset occurred
0	1	WDT overflow occurred.
1	0	External reset occurred.
1	1	Reserved

Symbol	Addr	R/W	RSTB	D3	D2	D1	D0	Description
RES_FLAG (TR4P151AT /AF only)	1BH	R	0000	ERESFG	WDTFG	0	0	ERESFG: External reset flag 0: ERESFG is cleared by executing clear WDT (writing 05h to DMDM register) or after power up. 1: ERESFG is set by external reset occurred. WDTFG : WDT overflow flag 0: WDTFG is cleared by executing clear WDT (writing 05h to DMDM register) or after power up. 1: WDTFG is set by WDT overflow occurred.



5.14 Low Voltage Reset

When VDD power is applied to the chip, the low voltage RSTB default is enabled initially, it will be disabled when in HALT mode. The internal system reset will be generated if VDD is lower than V_{LVR} .

5.15 System Clock Oscillator

The TR4P153XX series are provided with an internal high speed RC oscillator (HRCOSC) that provided a precision frequency of deviation under $\pm 2\%$ for VDD from 2.0V to 5.5V and temperature from -40°C to $+85^{\circ}\text{C}$. An internal low speed RC oscillator (LRCOSC) and an external X'tal oscillator or ceramic resonator are provided also. This chip is a dual clock MCU system. In NORMAL mode, MCU operating clock (F_{MCK}) comes from HRCOSC. In GREEN mode, clock source come from LRCOSC.

Condition VDD=2.0V~5.5V

TYPE	OSC frequency	MCU clock (F_{MCK})	MCU operation mode
HRCOSC	(1) 32MHz $\pm 2\%$	$F_{HRCOSC}/4, /8, /16, /32$ (MCU run 8 MIPS/4 MIPS/2 MIPS/1 MIPS by option)	NORMAL mode
	(2) 32MHz -16%~+10% by PB0/OSCADJ pin		
	(3) 32MHz -2%, +2%, -4%, +4% by option		
X'tal	32KHz (It isn't provided on TR4P153BT)	1. The MCU is still running with HRCOSC or LRCOSC oscillator in this mode. 2. 32K can be used for RTC and WDT clock source	NORMAL mode or GREEN mode
LRCOSC	458.752KHz $\pm 12\%$	$F_{LRCOSC}/4, /8, /16, /32$ (MCU run 114.69KIPS /57.34KIPS /28.67KIPS /14.33KIPS by option)	GREEN mode (low power consumption)

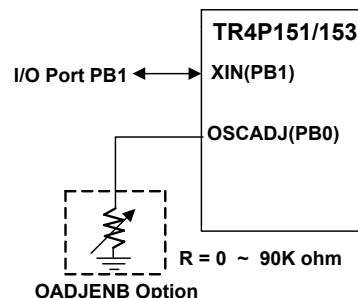
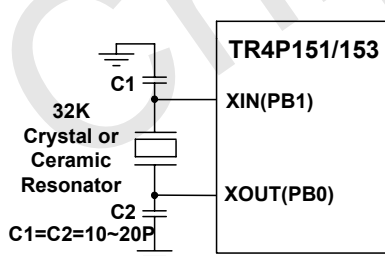
System clock can be stopped by HALT command. Once stopped, only wake-up triggering inputs (PA0~PA3, PB0~3 or PD0~PD3), RSTB (if PA3 set as RSTB by option) or RTC overflow can re-start oscillator. Such oscillator will do 'stable check' before release control to software. In order to make system stable, the stable clock delay must be placed between oscillator starting and first instruction of user software. Refer to table on page 8.

32K X'tal : The external 32k X'tal oscillator is enabled by option XT32ENB. It provides clock source for RTC and WDT, but don't provide clock source for MCU. The MCU is still running with HRCOSC or LRCOSC oscillator in this mode. Cap.C1 and C2 use 10P~20P for 32K X'tal mode.

Note: **The 32k X'tal mode isn't provided on TR4P153BT/DAI**

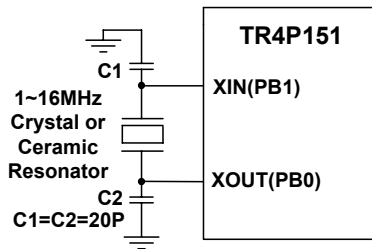
X1 selection table

Option	X1 X'tal frequency	C1,C2 value	Part Number available
XT32ENB enabled	32KHz	10~20P	TR4P151AT/AF, TR4P153CT/CF
XTENB enabled	1~16MHz	20P	TR4P151AT/AF





EXTOSC: The TR4P151AT/AF series are provided external X'tal oscillator mode, XIN and XOUT are shared with PB1 and PB0 by option. An external ceramic resonator or crystal of 1MHz~16MHz can be used for MCU clock source. Cap.C1 and C2 use 20P for 1~16 MHz X'tal)



HRCOSC: Internal high speed RC oscillator, the frequency of this oscillator can be adjusted by external OSCADJ (PB0) pin which is selected by option if need. When OSCADJ pin is used for frequency adjust, it must be connected to a resistor and then serial to VSS. The recommended resistor value is from 0 ohm to 90K ohm and the frequency range built around 32MHz -16% ~ +10%. There is one measurement data shown below:

OSCADJ PIN resistor (KΩ)	0K	10K	20K	30K	43K	51K	62K	75K	82K	91K
HRCOSC frequency deviation	-19%	-6.5%	0%	+4.5%	+7.5%	+8.8%	+10%	+11.8%	+12.2%	+13%

Note: This data is only for reference. It has some frequency deviation due to process variation, temperature and operating voltage.

There is another frequency adjustment method on HRCOSC. Using IADJENB, ADJ1, and ADJ0 option, the frequency of 32MHz can shift +2%, -2%, +4% or -4% four kinds of frequency deviation. Special care must be taken by user when this method is applied, the device would not guarantee frequency deviation range. These four kinds of frequency deviation is only reference value.

5.16 I/O Port

TR4P153XX series provide totally 11 I/O ports and one input port. There are three bi-direction I/O ports, Port A, Port B, and Port D. Input and output direction is controlled by IOC_PA, IOC_PB and IOC_PD. PA3 are input pin only. All I/O are provided with wake up and pull down/up resistor function by control registers.

5.16.1 PortA /PortB (input/output)

Common I/O

Symbol	Addr	R/W	RSTB	D3	D2	D1	D0	Description
IOC_PA	02H	R/W	0000	X	IOCA2	IOCA1	IOCA0	Port A input/output direction select 1: set port A as output port individually 0: set port A as input port individually
DATA_PA	03H	R/W	xxxx	DPA3 (Read only)	DPA2	DPA1	DPA0	Read data from PA0~PA3 PIN or write data to PA0~PA2 PIN (I/O direction is selected by IOC_PA register)
IOC_PB	05H	R/W	0000	IOCB3	IOCB2	IOCB1	IOCB0	Port B input/output direction select 1: set port B as output port individually 0: set port B as input port individually
DATA_PB	06H	R/W	xxxx	DPB3	DPB2	DPB1	DPB0	Read data from PB0~PB3 port or write data to PB0~PB3 (I/O direction is defined by IOC_PB register)

Extend I/O

Symbol	Addr	R/W	RSTB	D3	D2	D1	D0	Description
PAPU	00H	W	0000	PAPU.3	PAPU.2	PAPU.1	PAPU.0	PA2~PA0 pull up 100K ohm resistor PA3 pull up 60K ohm resistor 0: Port A pull up resistor disabled



PAPL	01H	W	0000	PAPL.3	PAPL.2	PAPL.1	PAPL.0	1: Port A pull up resistor enabled Port A pull down 100K ohm resistor 0: Port A pull down resistor disabled 1: Port A pull down resistor enabled
PBPU	02H	W	0000	PBPU.3	PBPU.2	PBPU.1	PBPU.0	Port B pull up 100K ohm resistor 0: Port B pull up resistor disabled 1: Port B pull up resistor enabled
PBPL	03H	W	0000	PBPL.3	PBPL.2	PBPL.1	PBPL.0	Port B pull down 100K ohm resistor 0: Port B pull down resistor disabled 1: Port B pull down resistor enabled
PAWK	06H	W	0000	PAWK.3	PAWK.2	PAWK.1	PAWK.0	Port A wake up enable control 0: Port A wake up disabled 1: Port A wake up enabled
PBWK	07H	W	0000	PBWK.3	PBWK.2	PBWK.1	PBWK.0	Port B wake up enable control 0: Port B wake up disabled 1: Port B wake up enabled

The Port A and Port B are 4-bit I/O port. Each bit(pin) can be individually set as input port or output port except PA3. In output mode, data can be written to external pin. In output mode, data read will read internal register data not external pin voltage. Built-in pull-up/down resistor will be disabled when in output mode. In input mode, Port A and Port B data are read voltage from external pin. These pins can have pull-up/down resistor 100K or not. They are selected by PAPU, PAPL, PBPU, PBPL registers. The pull up resistor of PA3 isn't 100k, it's 60K ohm only.

Each pin of Port A and Port B can be selected with wake up function or not by register PAWK or PBWK. In HALT mode, If Port A or Port B wake-up function is enabled. Any rising or falling signal on these selected ports will wake up system and turn on HRCOSC simultaneously. Program counter of MCU will jump to address 04H to run wake up program.

When Port A and Port B are selected as wake-up enabled, and system enters HALT by HALT instruction. Then, these ports will enter input mode automatically even if they are set as output ports previously. This function is not provided for Port D and PA3.

PA1 is provided with 38 KHz modulator

I/O port PA1 can be used as 38 KHz modulator output. This function is enabled by **F38K** modulator option. PA1 pin will output 38KHz clock signal when F38K set to 1 (PA1 always as output port when IREN option enabled). If register F38K set to 0, PA1 output keeps low or high depend on option IRNOR0. See below for detail. If this 38K modulator option is disabled, PA1 will be changed to normal I/O port.

No.	IRNOR0 option	F38K register	PA1 output pin
1	disabled	0	low
2	disabled	1	38k square wave
3	enabled	0	high
4	enabled	1	38k square wave

This 38KHz modulator has several clock sources under different modes as shown below:

MCU mode	NORMAL mode	GREEN mode
Clock source	Use internal HRCOSC	Use internal LRCOSC
38K frequency	$F_{HRCOSC} / 840 = 38.09 \pm 2\% \text{KHz}$	$F_{LRCOSC} / 12 = 38.23 \pm 12\% \text{KHz}$

Symbol	Addr	R/W	Reset	D3	D2	D1	D0	Description
RTC	01H	R/W	0000	RTCFCG	F38K	RTCS1	RTCS0	F38K is valid only when IREN is enabled. F38K = 1, PA1 output 38k clock F38K = 0, PA1 PIN 38K output signal disabled. PA1 keeps low if (option) IRNOR0 disabled. PA1 keeps high when IRNOR0 enabled.



PA2 is shared with PWM/CKI/BZ functions by option.

PA3 is an input pin only, it supports pull up 60K, pull down resistor 100K ohm. It also provides level-change-wakeup function. It's shared with external reset pin (RSTB) pin by option, and VPP pin (VPP is for programming only).

PB0 is shared with XOUT/OSCADJ by option and PB1 is shared with XIN pin by option. XIN and XOUT PIN can be connected to external 32KHz crystal for RTC and WDT clock source. Once XT32ENB option is enabled, the pull up/down control registers and I/O direction registers of these two PINs will be disabled.

PB2 is shared with output of Op Amp by option.

5.16.2 Port D (input/output)

Symbol	Addr	R/W	RSTB	D3	D2	D1	D0	Description
IOC_PD	0CH	R/W	0000	IOCD3	IOCD2	IOCD1	IOCD0	Port D input/output direction select 1: set port D as output port individually 0: set port D as input port individually
DATA_PD	0DH	R/W	xxxx	DPD3	DPD2	DPD1	DPD0	Read port D data from PD0~PD3 port or write data to PD0~PD3 (I/O direction is defined by IOC_PD register)

Extend I/O

Symbol	Addr	R/W	RSTB	D3	D2	D1	D0	Description
PDPU	04H	W	0000	PDPU.3	PDPU.2	PDPU.1	PDPU.0	Port D pull up 100K ohm resistor 0: Port D pull up resistor disabled 1: Port D pull up resistor enabled
PDPL	05H	W	0000	PDPL.3	PDPL.2	PDPL.1	PDPL.0	Port D pull down 100K ohm resistor 0: Port D pull down resistor disabled 1: Port D pull down resistor enabled
PDWK	08H	W	0000	PDWK.3	PDWK.2	PDWK.1	PDWK.0	Port D wake up enable control 0: Port D wake up disabled 1: Port D wake up enabled

IOC_PD register defines the input/output selection of PD0~PD3.

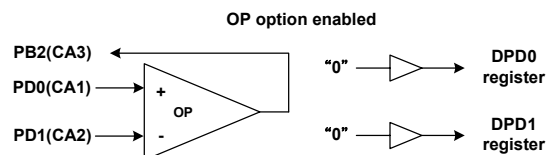
PDWK register defines wake up function of PD0~PD3.

PDPU/PDPL defines the existence of 100K pull up/down resistor in input mode, just like Port A or Port B.

Notice: If Port D pins are wakeup-enabled and is set as output port by software, and if system enters HALT mode, it will not change to input automatically (as port A and port B). It will keep as output. Only Port A and Port B is provided with this function.

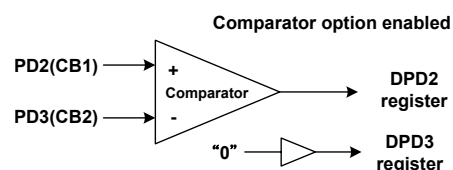
PD0, PD1, PB2 are shared with input/output of OP Amp.

There is one OP Amp in TR4P153XX series. The input/output pin of this OP Amp are shared with PD0, PD1 and PB2 pin by option. If OP Amp is enabled, the register DPD0 and DPD1 will always read 0. The I/O direction register of PD0, PD1 and PB2 are ignored. Pull up or down resistors are still available. This OP Amp will be powered down in HALT mode automatically.



PD2, PD3 are shared with input of a Comparator

There is one comparator in TR4P153XX series. The input pin of comparator are shared with PD2 and PD3 pin by option. If the comparator option is enabled, the connection of external pin, internal register and comparator are as shown. The output of comparator is connected to register DPD2, and register DPD3 is always fixed to 0 in this





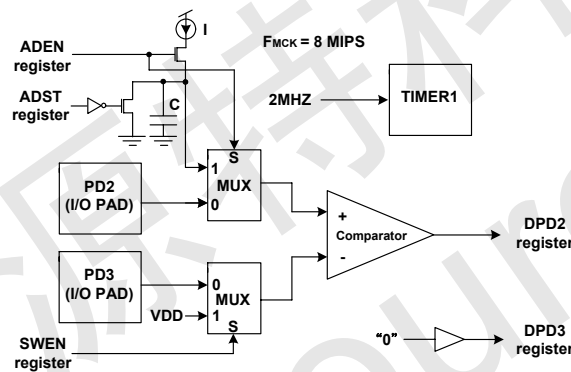
mode. The I/O direction register of PD2 and PD3 are ignored (PD2 and PD3 will be forced as input port by hardware). Pull up or down resistors are still available. This comparator will be powered down in HALT mode automatically.

5.17 Simple Analog to Digital Converter (6 bit ADC)

This simple ADC is only applied on TR4P153CT.

It's equipped with one 6 bit simple ADC circuit, it designed to measure the analog signal level from one fixed channel (PD3 pin). The input range limit of analog signal is from 1V to 3V. The simple ADC consist of one capacitor, one comparator, one constant current, two MUX, and three control registers (ADEN, ADST, SWEN). In order to make ADC resolution converts better. The F_{MCK} must be set to 8 MIPS. There are two calibration data values was pre-stored on PROM address \$670h and \$671h during chip production. The A/D conversion is achieved by using macro assembly file "MADC" which placed in tritan's macro manager "TSMG". The TSMG program can be down load from Tritan's web site. About MADC macro program, please see A/D conversion demo program in TR4K-IDE. This MADC macro program uses TIMER2 as a counter and generates one 6 bit ADC result. So, the TIMER2 should not be used for another purpose by the user. The ADC block diagram is shown below:

Symbol	Addr	R/W	Reset	D3	D2	D1	D0	Description
ADC	04H	R/W	0000	USER0	CASW	ADEN	ADST	ADC control register



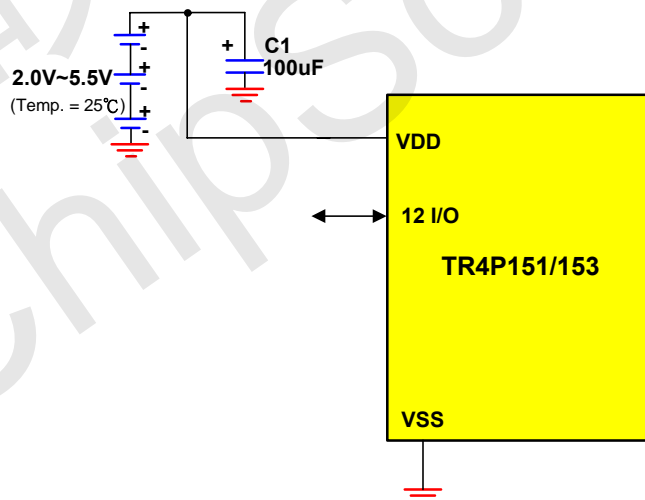
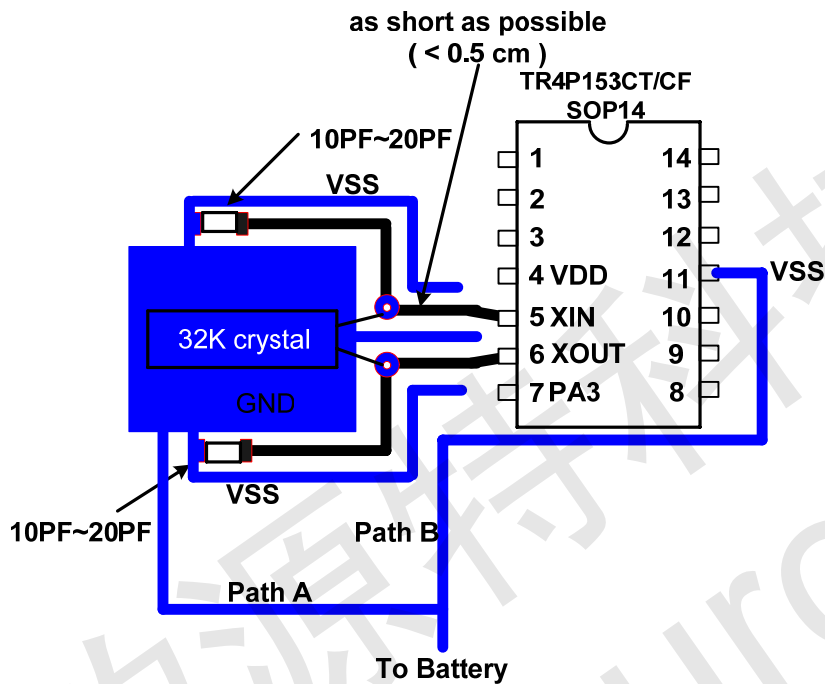


6. Application Circuit

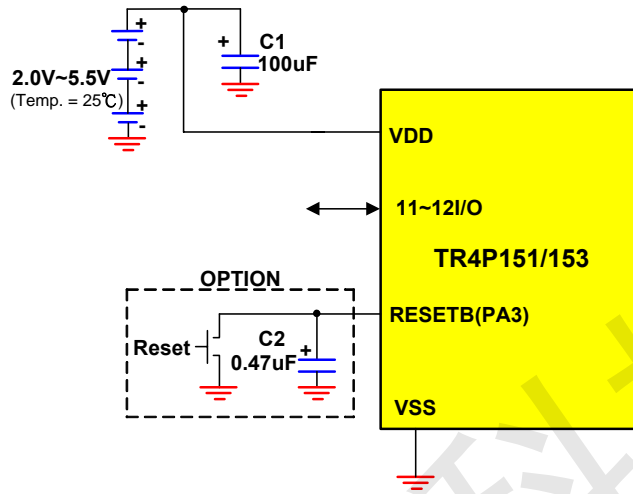
PCB Layout guide line for 32K Crystal

Notice:

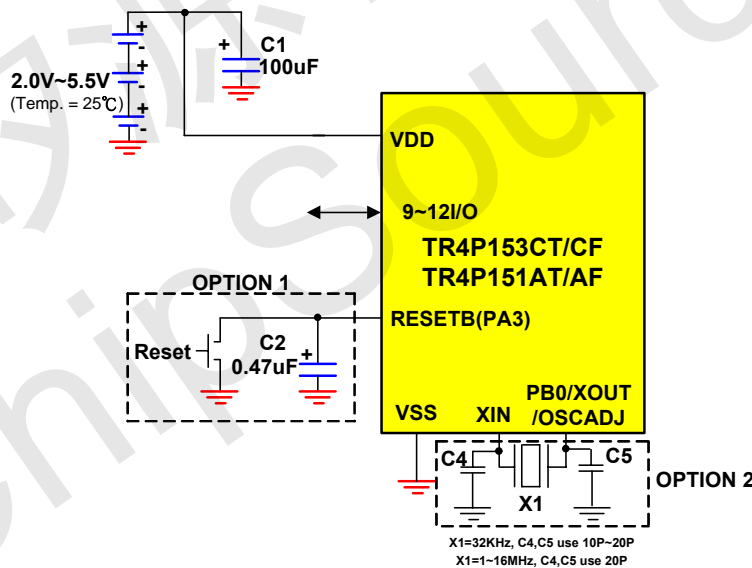
1. The overall shield track must be placed around the 32k crystal.
2. The 32k crystal must be placed close to XIN & XOUT pin ($< 0.5\text{cm}$ is perfect)
3. Ground "path A" and "path B" must be separated.



Note : Substrate must be connected to VSS.

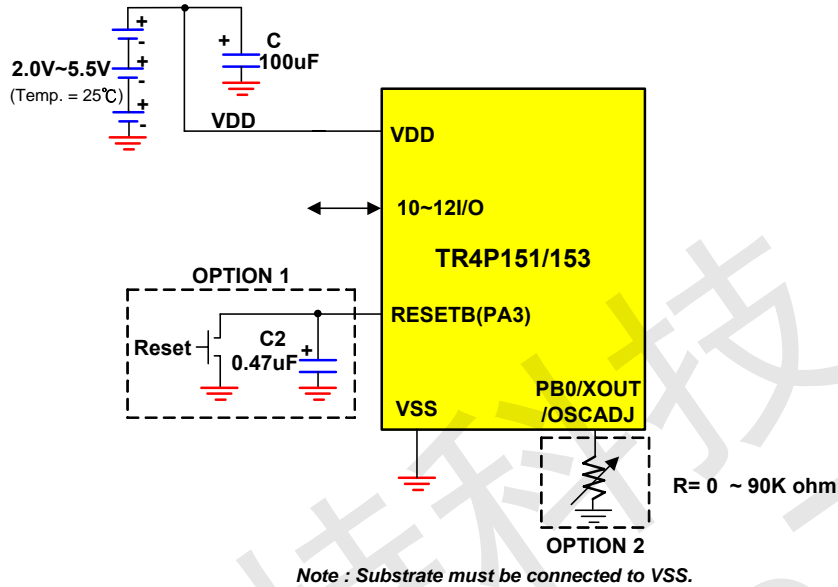


Note : Substrate must be connected to VSS.



X1 selection table

Option	X1 X'tal frequency	C4,C5 value	Part Number available
XT32ENB enabled	32KHz	10~20P	TR4P151AT/AF, TR4P153CT/CF
XTENB enabled	1~16MHz	20P	TR4P151AT/AF





7. Option table

Item	Option Name	Function Description	
1	PA3_RESETB	Enable/disable RSTB (PA3 pin is shared with RSTB.)	
2	WDT	WDT enable/disable	
3	MCKS1	MCU operating clock definition (F _{MCK})	
			ITEM MCU speed
			1 MCU run 1 MIPS
			2 MCU run 2 MIPS
4	MCKS0	3 MCU run 4 MIPS	
		4 MCU run 8 MIPS	
5	PROTECT	OTP data lock bit enable/disable	
6	IREN	Enable/disable IR 38K (PA1 is shared with IR 38K clock output.)	
7	WDTHEN	WDT always enabled or not, even in HALT mode.	
8	WDTS1	WDT period definition	
			ITEM WDT Period
			1 0.125 ±12% Sec
			2 0.25 ±12% Sec
9	WDTS0	3 0.5 ±12% Sec	
		4 1.0 ±12% Sec	
10	LOSCS1	MCU operating clock definition in GREEN mode	
			ITEM MCU GREEN mode clock
			1 114.69 ±12% KIPS
			2 57.34 ±12% KIPS
11	LOSCS0	3 28.67 ±12% KIPS	
		4 14.33 ±12% KIPS	
12	IRNOR0	PA1 pin keep high or low when option IREN enabled and F38K register = 0(38K stopped)	
		No. IRNOR0 option F38K register PA1 output pin	
		1 disabled 0 low	
		2 disabled 1 38k square wave	
		3 enabled 0 high	
		4 enabled 1 38k square wave	
13	RTCEN	RTC function enable/disable	
14	OADJENB	PB0 is shared with OSCADJ PIN (Adj. pin of HRCOSC) or not	
15	IADJENB	Enable/disable Internal frequency adjust function of HRCOSC.	
16	ADJ1	Adjust frequency of internal HRCOSC, ADJ1 and ADJ0 is valid after IADJENB is enabled	
17	ADJ0		ITEM Internal HRCOSC frequency
			1 32MHz -4%
			2 32MHz -2%
		3 32MHz +2%	
		4 32MHz +4%	
18	OPEN	OP enable/disable	
19	CMPEN	Comparator enable/disable	
20	SPUP	Enable/disable RTC time period speed up.	
21	XT32ENB	32K X'tal oscillator enabled/disabled	
22	XTENB	External crystal 1~16MHz mode enable/disable (TR4P151AT/AF only)	



8. Revision History

Version	Description	Page	Date
1.0	Established		May,17 2013
1.1	Add package dimension	P3,P4	July,16 2013
1.2	1. After reset MD1, MD0 = 11, it's meaningless. 2. Don't write this value to MDCTL register. 3. Notice: The frequency of CKI(PA2) must be lower than $F_{MCK} / 4$, over $F_{MCK} / 4$ will cause loss of interrupt. 4.The global interrupt control register (ENINT) and TM1MSK should be set to 1 before TM1EN set to 1 5. One 6 bit simple AD converter.	P18 P18 P21 P22 P1	July,31 2013
1.3	Add SRAM Data Retention voltage min. 1.0v	P6	Nov. 18 2014